

**NOTES:**

**1. MATERIAL:**

1.1 Housing:HI-TEMP.PLASIC UL 94V-0;  
Color Black.

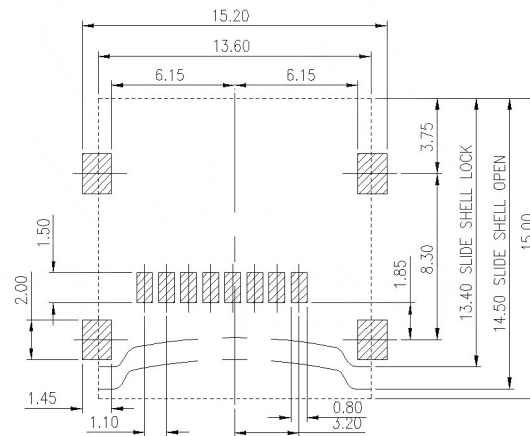
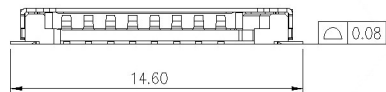
1.2 Terminal:Copper Alloy,T=0.12mm.

1.3 Shell:SUS,T=0.20mm.

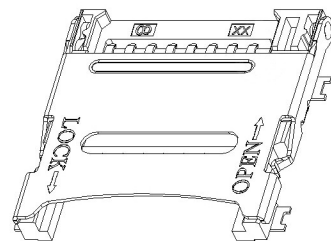
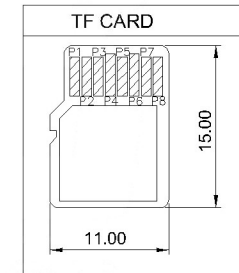
**2. FINISH:**

2.1 Terminal:Plated Gold on the Contact Area  
and Solder Tails

2.2 SHELL:NICKEL PLATED OVER ALL.



**RECOMMENDED PCB LAYOUT**



ITEM	PAPT NAMF	QTY	MATERIAL	FINISHING
③	Shell	1	SUS	
②	Terminal	8	COPPER ALLOY	
①	Housing	1	HI-TEMP.PLASIC UL 94V-0	BLACK

MARK	DESCRIPTION	DATE	REVISED	APPROVED	UNSPECIFIED TOLERANCES
Δx					ANGLAR ±5°
Δx					L ≤ 4 ±0.2
Δx					4 < L ≤ 16 ±0.3
					16 < L ≤ 63 ±0.4
					L > 63 ±0.5

DSND	DATE	SCALE: N/A	MODEL TYPE:
DWN	DATE	VIEW:	Card Connector
CHKD	DATE	UNIT: mm	PART NO.:
APPD	DATE	SIZE: A4	DWG NO.: XKTF-1307-16
KOSOD TECHNOLOGY CO., LTD			WEIGHT 1.0g
			SHEET 1/1
			REVISION A0