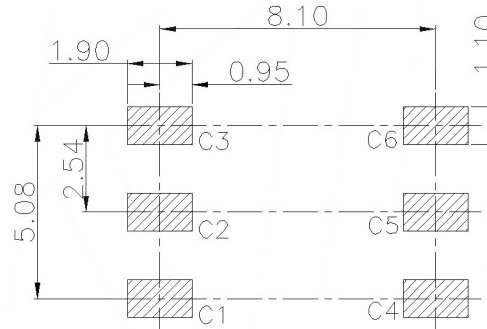
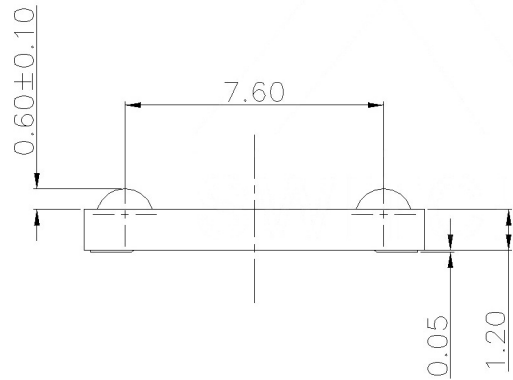


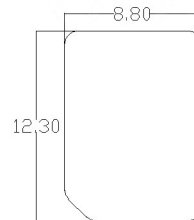
NOTES:

- 1、Material:
Housing:HI-Temp plastic UL 94V-0
Contact:Copper Alloy
- 2、Finish :
CONTACT:"G/F" Gold plated on conatct area;
G/F plated on solder tails, Base Nickel :50u"Min
- 3、Part number information:



Recommended P.C.B Layout
(Tolerance= 0.05)

SIM CARD	
PIN NO.	DESCRIPTION
C1	VCC
C2	RST
C3	CLK
C4	RESERVED
C5	GND
C6	VPP



4FF SIM CARD

ITEM	PAPT NAMF	QTY	MATERIAL	FINISHING
②	Terminal	6	COPPER ALLOY	
①	Housing	1	LCP UL 94V-0	BLACK

MARK	DESCRIPTION	DATE	REVISED	APPROVED	UNSPECIFIED TOLERANCES	DSND	DATE	SCALE: N/A	MODEL TYPE: SIM CARD CONN
Δx					ANGLAR ±5°	DWN	DATE	VIEW:	PART NO.:
Δx					L ≤ 4 ±0.2	CHKD	DATE	UNIT: mm	DWG NO.:
Δx					4 < L ≤ 16 ±0.3	APPD	DATE	SIZE: A4	XKSIM-0605
					16 < L ≤ 63 ±0.4				WEIGHT 1.0g
					L > 63 ±0.5				SHEET 1/1
									REVISION A0