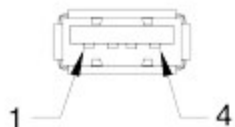
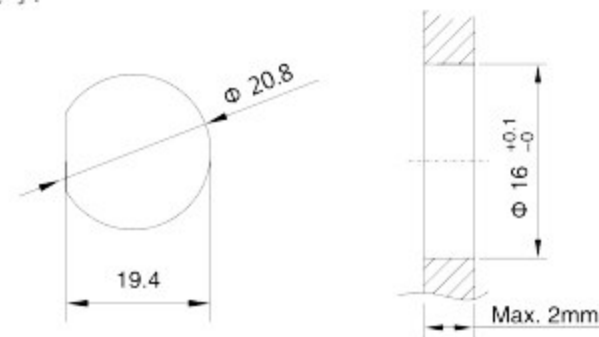


Panel thickness Max2.0mm



13/16"-28UN-2A

钻孔尺寸:



For and on behalf of

MARK	DESCRIPTION	DATE	REVISED	APPROVED	UNSPECIFIED TOLERANCES
△ X					ANGULAR ±5°
△ X					L < 4 ±0.2
△ X					4 < L < 16 ±0.3
△ X					16 < L < 63 ±0.4
					L > 63 ±0.5

DSND	DATE	SCALE: N/A	MODEL TYPE: USB 2.0
DWN	DATE	VIEW:	PART NO.: USB 2.0 WF04S
CHKD	DATE	UNIT: mm	DWG NO.:
APPD	DATE	SIZE: A4	
KOSOD TECHNOLOGY CO., LTD			WEIGHT 1.0g
			SHEET 1/1
			REVISION A0

Authorized Signature(s)