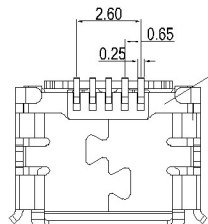
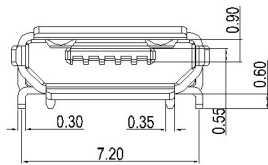
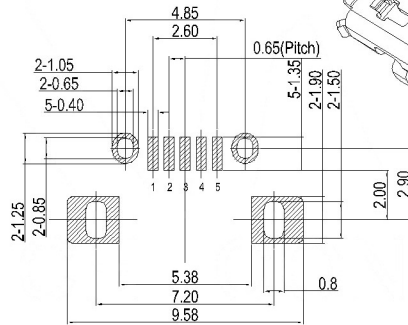


Scrolls (S)

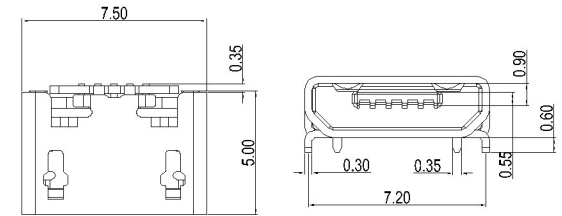


1:With 2:Without



RECOMMENDED PCB LAYOUT(TOP VIEW)

GENERAL TOLERANCES:±0.05



Flat(F)

Material

Housing Material: LCP, UL94V-0, black

Contact Terminal: Copper Alloy

Metallic Shell: Sus

Electrical

Voltage Rating: 30 V AC

Current Rating: Signal (Pins 2,3,4): 1.0A, Power (Pins 1,5): 1.8A

Contact Resistance: 30mΩ Max

Insulation resistance: 1000MΩ Min

Dielectric withstanding voltage: 250V AC/Minute

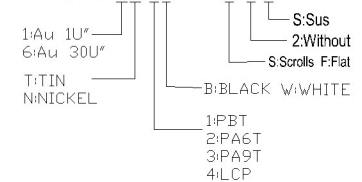
Mechanical

Durability: 10,000 cycles

Mating Force: 35N (3.57Kgf) Max

Unmating Force: 8N (0.82Kgf) Min.

U254-05XX-4BHJ25-X-2-S



					DSND		DATE	SCALE: N/A	MODEL TYPE: MICRO USB
					ANGLAR	±5°	DWN	VIEW:	PART NO.: U254-05XX-4BHJ25
ΔX					L ≤ 4	±0.2	DATE	UNIT: mm	DWG NO.: U254-05XX-4BHJ25-X2S
ΔX					4 < L ≤ 16	±0.3	DATE	SIZE: A4	
ΔX					16 < L ≤ 63	±0.4	DATE		
MARK					L > 63	±0.5	DATE		
DESCRIPTION					UNSPECIFIED TOLERANCES		KOSOD TECHNOLOGY CO., LTD		WEIGHT 1.0g
REVISIONS									SHEET 1/1
www.bodongkaiguan.net www.ksdkg.com									REVISION A0