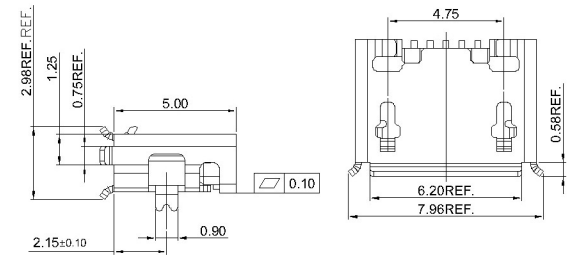
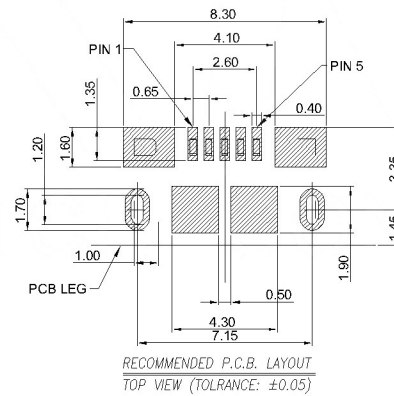
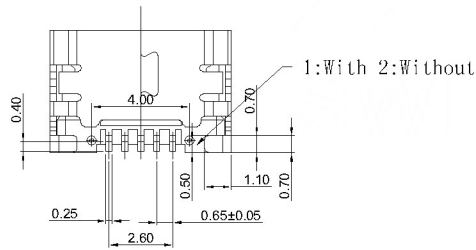
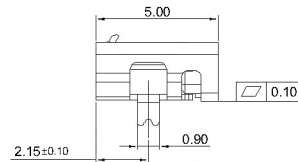
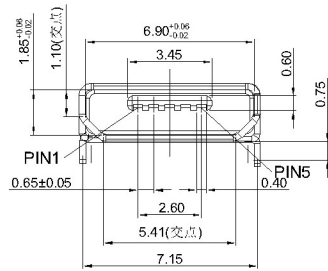


Flat (F)



Scrolls (S)



**Material**

Housing Material: LCP, UL94V-0, black

Contact Terminal: Copper Alloy

Metallic Shell: Sus

**Electrical**

Voltage Rating: 30 V AC

Current Rating: Signal (Pins 2,3,4): 1.0A, Power (Pins 1,5): 1.8A

Contact Resistance: 30mΩ Max

Insulation resistance: 1000MΩ Min

Dielectric withstanding voltage: 250V AC/Minute

**Mechanical**

Durability: 10,000 cycles

Mating Force: 35N (3.57Kgf) Max

Unmating Force: 8N (0.82Kgf) Min.

U254-05XX-4BH81-X-X-S

- 1:Au 1U"
- 6:Au 30U"
- T:TIN
- N:NICKEL
- S:Sus
- 1:With 2:Without
- S:Scrolls F:Flat
- B:BLACK W:WHITE
- 1:PBT
- 2:PA6T
- 3:PA9T
- 4:LCP

					ANGULAR	±5°	DSND		DATE	SCALE: N/A	MODEL TYPE:	MICRO USB	
					L ≤ 4	±0.2	DWN		DATE	VIEW:	PART NO.:	U254-05XX-4BH81	
					4 < L ≤ 16	±0.3	CHKD		DATE	UNIT: mm	DWG NO.:	U254-05XX-4BH81-XXS	
					16 < L ≤ 63	±0.4	APPD		DATE	SIZE: A4	WEIGHT	1.0g	
					L > 63	±0.5						SHEET	1/1
					UNSPECIFIED TOLERANCES							REVISION	A0
					www.bodongkaiguan.net www.ksdkg.com							KOSOD TECHNOLOGY CO., LTD	