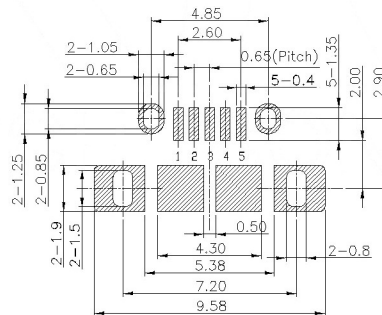
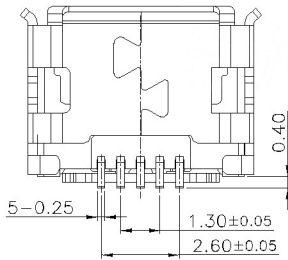
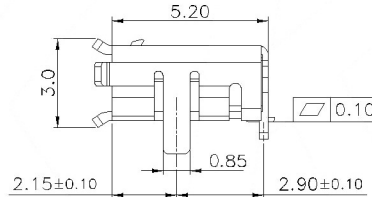
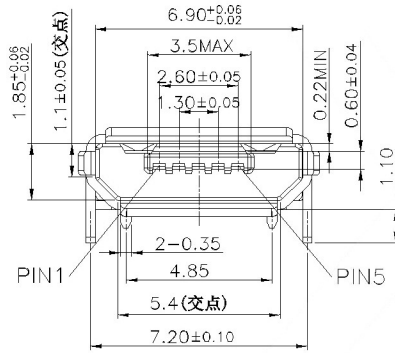


Flat (F)



RECOMMENDED PCB LAYOUT(TOP VIEW)
GENERAL TOLERANCES:±0.05

Material

Housing Material: LCP, UL94V-0, black

Contact Terminal: Copper Alloy

Metallic Shell: Sus

Electrical

Voltage Rating: 30 V AC

Current Rating: Signal (Pins 2,3,4): 1.0A, Power (Pins 1,5): 1.8A

Contact Resistance: 30mΩ Max

Insulation resistance: 1000MΩ Min

Dielectric withstanding voltage: 250V AC/Minute

Mechanical

Durability: 10,000 cycles

Mating Force: 35N (3.57Kgf) Max

Unmating Force: 8N (0.82Kgf) Min.

U254-05XX-4BH23-X-2-S

1:Au 1U*
6:Au 30U*
T:TIN
N:NICKEL
S:Sus
2:Without
S:Scrolls F:Flat
B:BLACK W:WHITE
1:PBT
2:PA6T
3:PA9T
4:LCP

					DSND		DATE		SCALE: N/A	MODEL TYPE: MICRO USB		
△X					ANGULAR		DATE		VIEW:	PART NO.: U254 05XX 4BH23		
△X					L ≤ 4		DATE		UNIT: mm	DWG NO.: U254-05XX-4BH23-X2S		
△X					4 < L ≤ 16	±0.3	DATE		SIZE: A4			
MARK	DESCRIPTION	DATE	REVISED	APPROVED	16 < L ≤ 63	±0.4	DATE					
					L > 63	±0.5	DATE					
					UNSPECIFIED TOLERANCES					WEIGHT	SHEET	REVISION
					www.bodongkaiguan.net					1.0g	1/1	A0
										Kosod Technology Co., Ltd.		