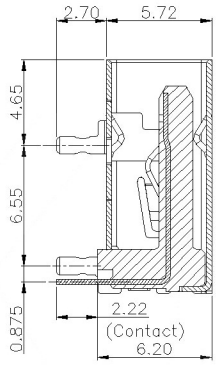
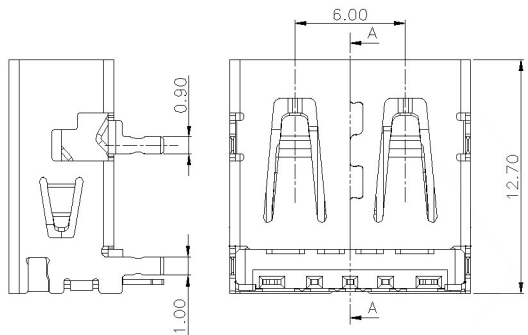
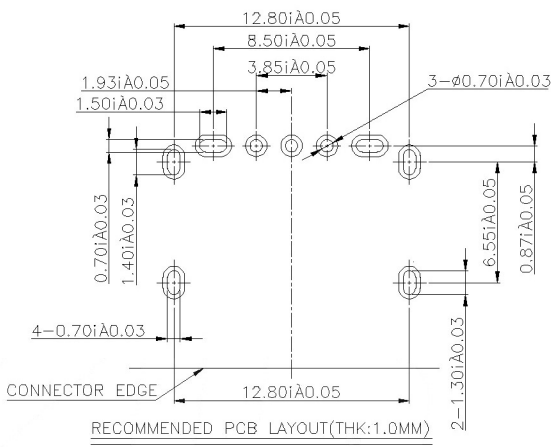


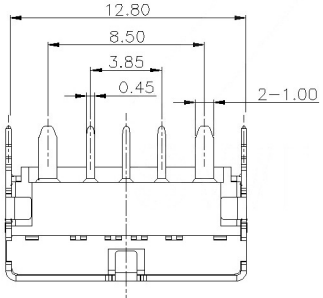
3D VIEW



SEC.A-A



RECOMMENDED PCB LAYOUT (THK: 1.0MM)



U234-05XN-3GRA035-5

- G: GREEN
- B: BLACK
- BL: BLUE
- 5: BRASS
- 1: Au 1U*
- 5: Au 15U*
- 6: Au 30U*
- 1: PB-T
- 2: PA6T
- 3: PA9T
- 4: LCP

Material
Housing Material: Thermoplastic PA9T, UL94V-0, green
Contact Terminal: Brass
Metallic Shell: Brass
Plating
Underplating: Nickel all over
Contact Plating: 1μ" Gold
Solder Tail: Tin
Metallic Shell: Nickel
Electrical
Voltage Rating: 30 V AC
Current Rating: 4A
Contact Resistance: 30mΩ Max.
Insulation resistance: 1000MΩ Min.
Dielectric withstanding voltage: 500V AC/Minute
Mechanical
Durability: 5000 cycles
Mating Force: 35N (3.57Kgf) Max
Unmating Force: 10N (1.02Kgf)
Environmental and Processing
Operating Temperature: -40°C to +85°C

					ANGLAR	±5°	DSND		DATE		SCALE: N/A	MODEL TYPE:	USB 3.0		
					L ≤ 4	±0.2	DWN		DATE		VIEW:	PART NO.:			
					4 < L ≤ 16	±0.3	CHKD		DATE		UNIT: mm	DWG NO.:			
					16 < L ≤ 63	±0.4	APPD		DATE		SIZE: A4	U234-05XN-3GRA035-5			
					L > 63	±0.5						WEIGHT	SHEET	REVISION	
					UNSPECIFIED TOLERANCES		KOSOD TECHNOLOGY CO., LTD					1.0g	1/1	A0	
MARK	DESCRIPTION	DATE	REVISED	APPROVED											
www.bodongkaiguan.net		REVISIONS		www.ksdkg.com											