

Material
 Housing Material: LCP, UL94V-0, black
 Contact Terminal: Phosphor bronze, T=0.25mm
 Metallic Shell: Brass, T=0.4mm

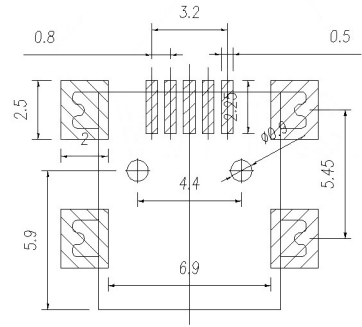
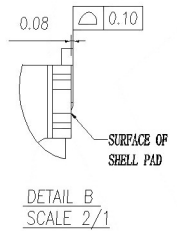
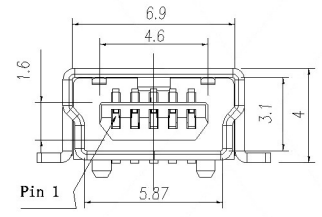
Plating
 Contact Terminal
 Underplating: Nickel all over
 Contact Plating: 1μ" gold
 Solder Tail: Bright Tin

Metallic Shell
 Underplating: Nickel 50μ" all over
 Metallic Shell: Matte Tin 50μ" all over

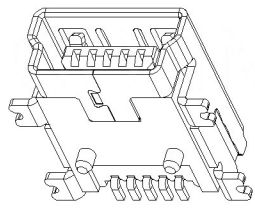
Electrical
 Voltage Rating: 30VDC
 Current Rating: 1A
 Contact Resistance: 50mΩ Max
 Insulation resistance: 100MΩ Min (Apply 100 VDC)
 Dielectric withstanding voltage: No discharge or flash (100V AC is applied for 1 minute)

Mechanical
 Durability: 5,000 cycles
 Mating Force: 35N (3.57Kgf) Max
 Unmating Force: Initial - 7N (0.71KgF) Min., 5001st cycle - 3N (0.31KgF) Min.

Environmental and Processing
 Operating Temperature: -50°C to +85°C



RECOMMENDED PCB LAYOUT



U213-05XN-4BH82

W:WHITE
 B:BLACK
 1:Au 1U"
 6:Au 30U"
 1:PB
 2:PA6T
 3:PA9T
 4:LCP

					ANGLAR	±5°	DSND		DATE		SCALE: N/A	MODEL TYPE: MINI USB		
					L ≤ 4	±0.2	DWN		DATE		VIEW:	PART NO.:		
					4 < L ≤ 16	±0.3	CHKD		DATE		UNIT: mm	DWG NO.: U213-05XN-4BH82		
					16 < L ≤ 63	±0.4	APPD		DATE		SIZE: A4			
					L > 63	±0.5	Kosod Technology Co., Ltd.					WEIGHT	SHEET	REVISION
					UNSPECIFIED TOLERANCES							1.0g	1/1	A0
MARK	DESCRIPTION	DATE	REVISED	APPROVED										
REVISIONS														
www.bodongkaiguan.net		www.ksdkg.com												