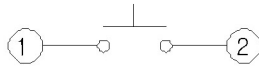
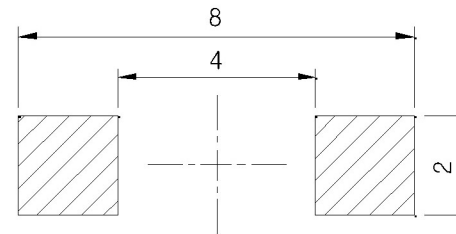


CIRCUIT DIAGRAM

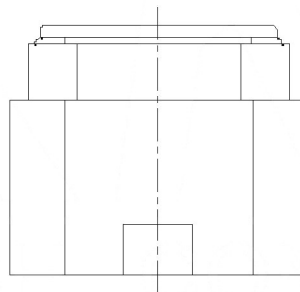
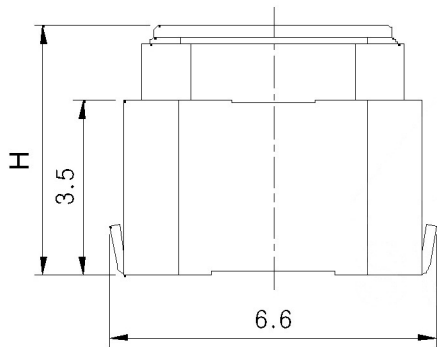


SM D REFL OW PATTERN



**SPECIFICATION**

Contact Rating: 50mA, 12V DC  
 Contact Resistance: 100mΩ max  
 Insulation Resistance: 100mΩ min. 500V DC  
 Dielectric Strength: 250V AC/1minute  
 Travel: 1.3mm  
 Operating Temp: -30°C ~ +85°C  
 Storage Temp: -30°C ~ +80°C



PAPT NO	TS-1199A-X-X
Operating Force	B: 170gf B1: 200gf C: 260gf
Height	II: A: 4.3 B: 5.0

ITEM	PAPT NAMF	TER.NO	QTY	MATERIAL	FINISHING	REMARK
⑤	Terminal	—	2	Brass (0.30t)	Plating silvering	—
④	Contact	—	1	F.ag/Sus	Natural	—
③	Base	—	1	Lcp		—
②	Cover	—	1	Lcp		—
①	Keystone	—	1	Lcp		—

MARK	DESCRIPTION	DATE	REVISED	APPROVED	UNSPECIFIED TOLERANCES
ΔX					units: mm
ΔX					tolerance: X.X ±0.2mm
ΔX					X.XX ±0.1mm
					X.XXX ±0.05mm

DSND		DATE		SCALE: N/A	MODEL TYPE: TACT SWITCH	
DWN		DATE		VIEW:	PART NO.:	
CHKD		DATE		UNIT: mm	DWG NO.:	
APPD		DATE		SIZE: A4	TS-1199A-X-X	
				WEIGHT	SHEET	REVISION
KOSOD TECHNOLOGY CO., LTD				1.0g	1/1	A0