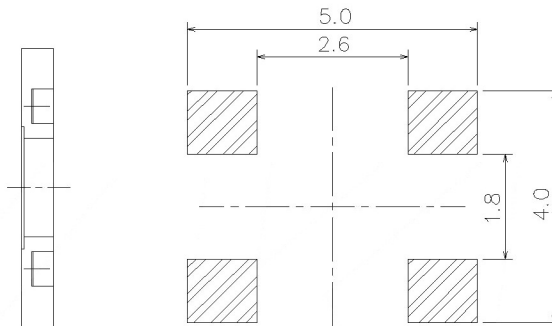
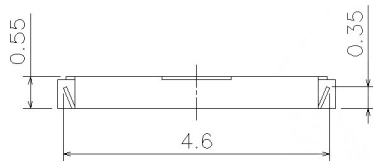


P.C.B Mounting pattern Dimension

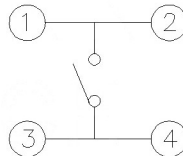


SPECIFICATION

Contact Rating : 50mA, 12V DC
 Contact Resistance : 100mΩ max
 Insulation Resistance : 100mΩ min. 500V DC
 Dielectric Strength : 250V AC/1minute
 Travel : 0.20mm
 Operating Temp : -30°C ~ +85°C
 Storage Temp : -30°C ~ +80°C



Circuit diagram



PAPT NO	TS-1197A-X
Operating Force	A: 100gf B: 160gf C: 260gf
Height	II: 0.55

⑤	Terminal	—	4	Brass (0.30t)	Plating silvering	—
④	Contact	—	1	F.ag/Sus	Natural	—
③	Base	—	1	Lcp	—	—
②	Cover	—	1	kapton filmPI	Plating Nickel	—
①	Keystake	—	1	—	—	—
ITEM	PAPT NAME	TER.NO	QTY	MATERIAL	FINISHING	REMARK

DSND		DATE		SCALE: N/A	MODEL TYPE: TACT SWITCH	
DWN		DATE		VIEW:	PART NO.:	
CHKD		DATE		UNIT: mm	DWG NO.:	
APPD		DATE		SIZE: A4	TS-1197A-X	
UNSPECIFIED TOLERANCES				Kosod Technology Co., Ltd.		
Δx				WEIGHT	SHEET	REVISION
Δx				1.0g	1/1	A0
Δx						
MARK	DESCRIPTION	DATE	REVISED	APPROVED		
	REVISIONS					
	www.bodongkaiguan.net					