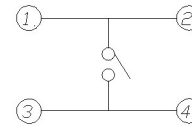
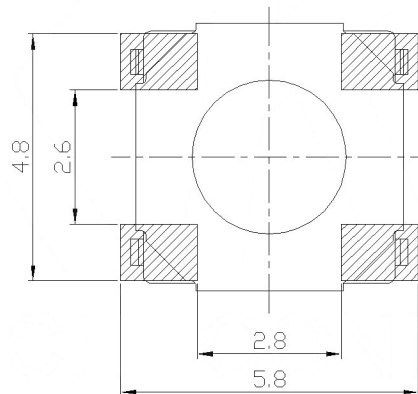
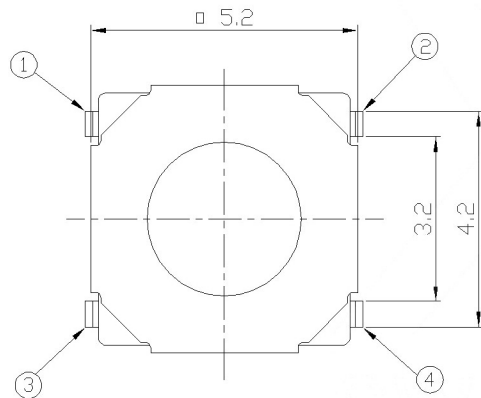


CIRCUIT DIAGRAM



P.C.B MOUNTING PATTERN DIMENSION
The following soldering patterns are recommended for reflow soldering



SPECIFICATION
 Contact Rating: 50mA, 12V DC
 Contact Resistance: 100mΩ max
 Insulation Resistance: 100mΩ min. 500V DC
 Dielectric Strength: 250V AC/1minute
 Travel: 0.25mm
 Operating Temp: -30°C~+85°C
 Storage Temp: -30°C~+80°C

PAPT NO	TS-1187UN-X
Operating Force	B: 160gf C: 260gf
Height	H: 0.8

⑤	Terminal	—	4	Brass (0.30t)	Plating silvering	—
④	Contact	—	1	F.ag/Sus	Natural	—
③	Base	—	1	Lcp	—	—
②	Cover	—	1	kapton filmPI	Plating Nickel	—
①	Keystake	—	1	—	—	—
ITEM	PAPT NAMF	TER,NO	QTY	MATERIAL	FINISHING	REMARK

DSND		DATE		SCALE: N/A	MODEL TYPE: TACT SWITCH		
DWN		DATE		VIEW:	PART NO.:		
CHKD		DATE		UNIT: mm	DWG NO.:		
APPD		DATE		SIZE: A4	TS-1187UN-X		
www.bodongkaiguan.net www.ksdkg.com					WEIGHT	SHEET	REVISION
					1.0g	1/1	A0

KOSOD TECHNOLOGY CO., LTD

units: mm
 tolerance:
 X.X ±0.2mm
 X.XX ±0.1mm
 X.XXX ±0.05mm
 UNSPECIFIED TOLERANCES

MARK	DESCRIPTION	DATE	REVISED	APPROVED
Δx				
Δx				
Δx				