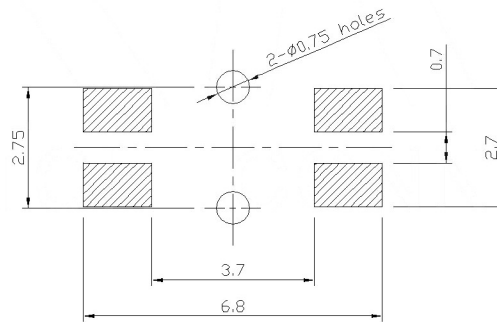
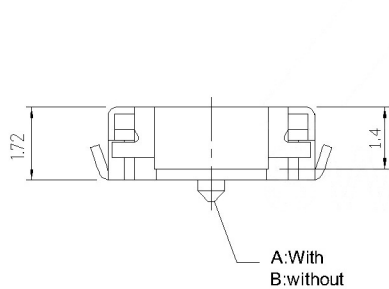


**SPECIFICATION**  
 Contact Rating : 50mA, 12V DC  
 Contact Resistance : 100mΩ max  
 Insulation Resistance : 100mΩ min.500V DC  
 Dielectric Strength : 250V AC/1minute  
 Travel : 0.20mm  
 Operating Temp : -30°C~+85°C  
 Storage Temp : -30°C~+80°C

P.C.B MOUNTING PATTERN DIMENSION



PAPT NO	TS-1186U-X-X
Operating Force	B:160gf C:260gf
Height	H:1.5
Fixed column	A:With B:without

⑤	Terminal	—	4	Brass (0.30t)	Plating silvering	—
④	Contact	—	1	F.ag/Sus	Natural	—
③	Base	—	1	Pa46		—
②	Cover	—	1	Brass	Plating Nickel	—
①	Keystake	—	1	Pa46		—
ITEM	PAPT NAMF	TER,NO	QTY	MATERIAL	FINISHING	REMARK

					DSND		DATE		SCALE: N/A	MODEL TYPE: <b>TACT SWITCH</b>		
					DWN		DATE		VIEW:	PART NO.:		
					CHKD		DATE		UNIT: mm	DWG NO.:		
					APPD		DATE		SIZE: A4	<b>TS-1186U-X-X</b>		
					KOSOD TECHNOLOGY CO., LTD					WEIGHT	SHEET	REVISION
										1.0g	1/1	A0

units:	mm
tolerance:	
X.X	±0.2mm
X.XX	±0.1mm
X.XXX	±0.05mm
UNSPECIFIED TOLERANCES	

Δ x				
Δ x				
Δ x				
MARK	DESCRIPTION	DATE	REVISED	APPROVED

REVISIONS  
 www.bodongkaiguan.net www.ksdkg.com