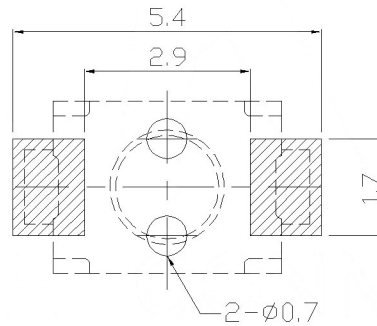


P.C.B MOUNTING PATTERN DIMENSION
The following soldering patterns are recommended for reflow soldering



CIRCUIT DIAGRAM



SPECIFICATION

Contact Rating: 50mA, 12V DC
 Contact Resistance: 100mΩ max
 Insulation Resistance: 100mΩ min. 500V DC
 Dielectric Strength: 250V AC/1minute
 Travel: 0.13mm
 Operating Temp: -30°C~+85°C
 Storage Temp: -30°C~+80°C

PAPT NO	TS-1185-X-X-X-A
Operating Force	A: 100gf B: 160gf C: 260gf
Height	H: A: 2.0 B: 2.5
Fixed column	A: With B: Without
Keystake	A: PA46 B: Silica gel

⑤	Terminal	—	2	Brass (0.30t)	Plating silvering	—
④	Contact	—	1	F.ag/Sus	Natural	—
③	Base	—	1	Lcp		—
②	Cover	—	1	Brass	Plating Nickel	—
①	Keystake	—	1	Lcp		—
ITEM	PAPT NAMF	TER.NO	QTY	MATERIAL	FINISHING	REMARK

Δx						units: mm
Δx						tolerance: X.X ±0.2mm
Δx						X.XX ±0.1mm
MARK	DESCRIPTION	DATE	REVISED	APPROVED		X.XXX ±0.05mm
REVISIONS						UNSPECIFIED TOLERANCES
www.bodongkaiguan.net						www.ksdkg.com

DSND		DATE		SCALE: N/A	MODEL TYPE: TACT SWITCH	
DWN		DATE		VIEW:	PART NO.:	
CHKD		DATE		UNIT: mm	DWG NO.:	
APPD		DATE		SIZE: A4	TS-1185-X-X-X-A	
				WEIGHT	SHEET	REVISION
KOSOD TECHNOLOGY CO., LTD				1.0g	1/1	A0