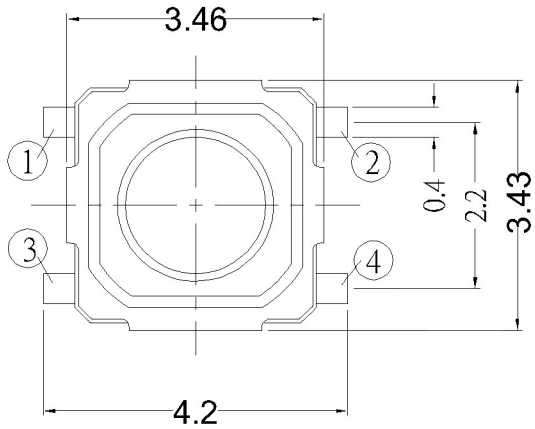
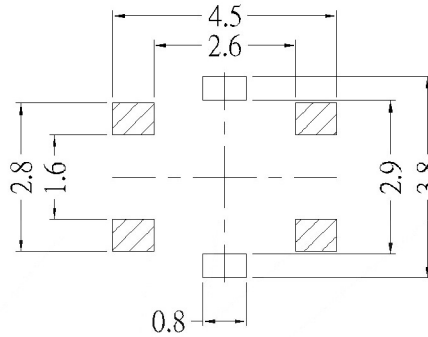


DIMENSIONS

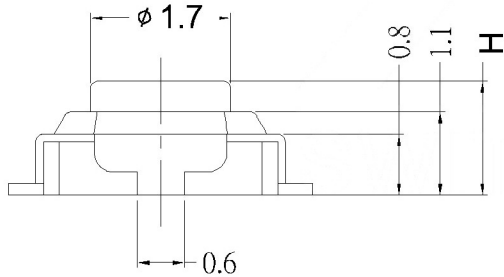


P.C.B LAYOUT
MOUNTING PATTERN

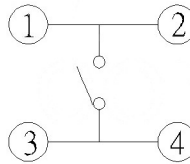


SPECIFICATION

Contact Rating: 50mA,12V DC
Contact Resistance: 100mΩ max
Insulation Resistance: 100mΩ min.500V DC
Dielectric Strength: 250V AC/1minute
Travel: 0.20mm
Operating Temp: -30℃~+85℃
Storage Temp: -30℃~+80℃



CIRCUIT DIAGRAM



PAPT NO	TS-1177-X-X-X
Operating Force	B: 160gf C: 260gf
Height	H: A: 1.5 B: 2.0
color	B:black W:white

⑤	Terminal	—	4	Brass (0.30t)	Plating silvering	——
④	Contact	—	1	F.ag/Sus	Natural	——
③	Base	—	1	Pa46		——
②	Cover	—	1	Spcc	Plating Nickel	——
①	Keystake	—	1	Pa46		——
ITEM	PAPT NAMF	TER.NO	QTY	MATERIAL	FINISHING	REMARK

ΔX						units: mm
ΔX						tolerance: X.X ±0.2mm
ΔX						X.XX ±0.1mm
MARK	DESCRIPTION	DATE	REVISED	APPROVED		X.XXX ±0.05mm
REVISIONS						UNSPECIFIED TOLERANCES
www.bodongkaiguan.net www.ksdkg.com						

DSND	DATE	SCALE: N/A	MODEL TYPE:
DWN	DATE	VIEW:	TACT SWITCH
CHKD	DATE	UNIT: mm	PART NO.:
APPD	DATE	SIZE: A4	DWG NO.:
			TS-1177-X-X-X
		WEIGHT	SHEET
		1.0g	1/1
			REVISION
			A0

KOSOD TECHNOLOGY CO., LTD