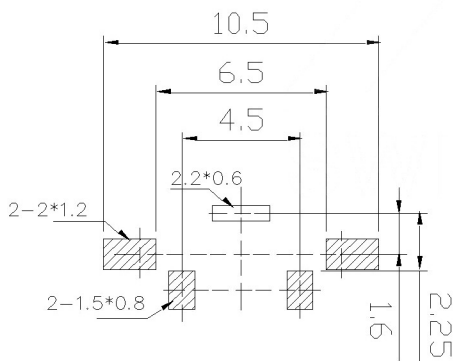


SPECIFICATION

Contact Rating: 50mA, 12V DC
 Contact Resistance: 100mΩ max
 Insulation Resistance: 100mΩ min. 500V DC
 Dielectric Strength: 250V AC/1minute
 Travel: 0.25mm
 Operating Temp: -30°C ~ +85°C
 Storage Temp: -30°C ~ +80°C



Code-X	H
A	4.3
B	4.5
C	5.0
D	5.5
E	6.0
F	6.5
G	7.0

PAPT NO	TS-1103US-X-X
Operating Force	B: 160gf C: 260gf
Height	Code-X

ITEM	PAPT NAMF	TER,NO	QTY	MATERIAL	FINISHING	REMARK
⑤	Terminal	—	2	Brass (0.30t)	Plating silvering	—
④	Contact	—	1	F.ag/Sus	Natural	—
③	Base	—	1	Pa46		—
②	Cover	—	1	Spcc	Plating Nickel	—
①	Keystake	—	1	Pa46		—

MARK	DESCRIPTION	DATE	REVISED	APPROVED	UNSPECIFIED TOLERANCES
Δx					units: mm
Δx					tolerance:
Δx					X.X ±0.2mm
					X.XX ±0.1mm
					X.XXX ±0.05mm

DSND		DATE		SCALE: N/A	MODEL TYPE:		
DWN		DATE		VIEW:	TACT SWITCH		
CHKD		DATE		UNIT: mm	PART NO.:		
APPD		DATE		SIZE: A4	DWG NO.:		
Kosod Technology Co., Ltd.					TS-1103US-X-X		
					WEIGHT	SHEET	REVISION
					1.0g	1/1	A0