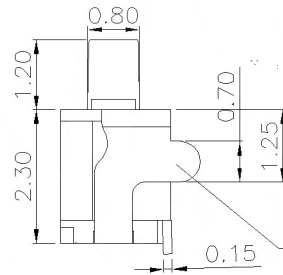
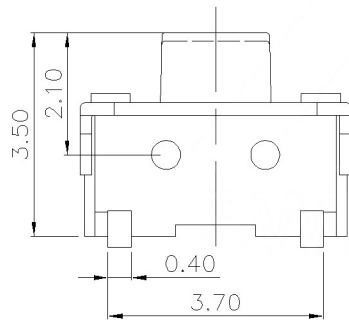


Circuit Diagram

SPECIFICATION

Contact Rating: 50mA, 12V DC
 Contact Resistance: 100mΩ max
 Insulation Resistance: 100mΩ min. 500V DC
 Dielectric Strength: 250V AC/1minute
 Travel: 0.15mm
 Operating Temp: -30°C~+85°C
 Storage Temp: -30°C~+80°C



A:With B:without

PAPT NO	TS-1010B-X-X
Operating Force	A:100gf B:160gf C:260gf
Height	II: 3.5
Position Foot	A:With B:without

ITEM	PAPT NAMF	TER.NO	QTY	MATERIAL	FINISHING	REMARK
⑤	Terminal	—	2	Brass (0.30t)	Plating silvering	—
④	Contact	—	1	F.ag/Sus	Natural	—
③	Base	—	1	Lcp	—	—
②	Cover	—	1	Brass	Plating Nickel	—
①	Keystake	—	1	Pa46	—	—

MARK	DESCRIPTION	DATE	REVISED	APPROVED	UNSPECIFIED TOLERANCES
Δx					units: mm
Δx					tolerance: X.X ±0.2mm
Δx					X.XX ±0.1mm
					X.XXX ±0.05mm

DSND	DATE	SCALE: N/A	MODEL TYPE:
DWN	DATE	VIEW:	TACT SWITCH
CHKD	DATE	UNIT: mm	PART NO.:
APPD	DATE	SIZE: A4	DWG NO.:
			TS-1010B-X-X
			WEIGHT: 1.0g
			SHEET: 1/1
			REVISION: A0