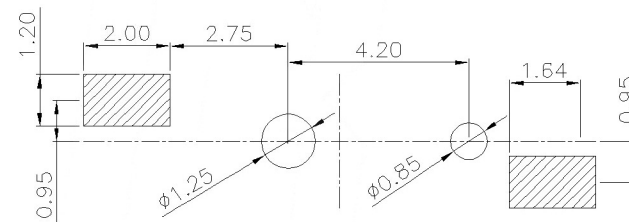
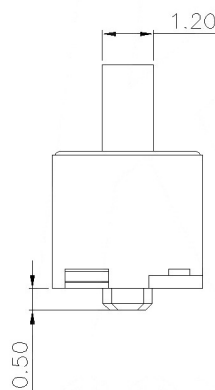
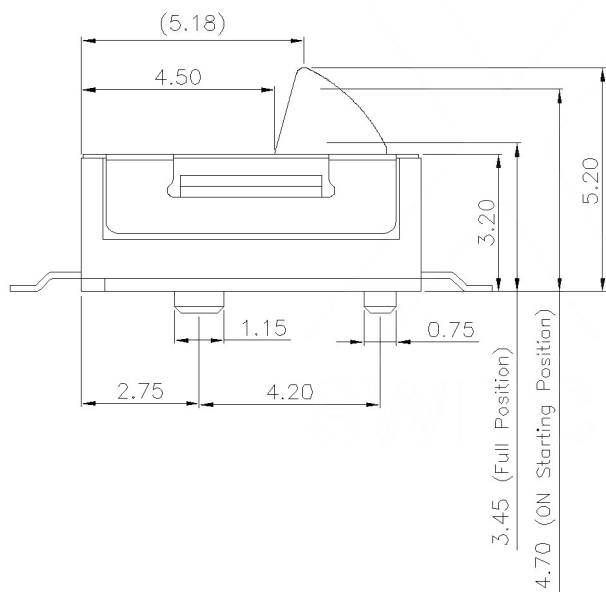
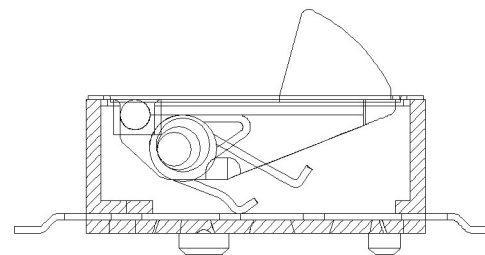


Circuit Diagram



PCB Layout(Pattern side)

⑤	Contact Spring	—	1	Phosphor Bronze	Plating silver	—
④	Terminal	—	2	Phosphor Bronze	Plating silver	—
③	Base	—	1	Lcp		—
②	Cover	—	1	Sus	Natural	—
①	Keystake	—	1	Nylon		—
ITEM	PAPT NAMF	TER,NO	QTY	MATERIAL	FINISHING	REMARK

					ANGLAR	±5°	DSND	DATE	SCALE: N/A	MODEL TYPE:		
△X					X.X	±0.2mm	DWN	DATE	VIEW:	DETECT SWITCH		
△X					X.XX	±0.1mm	CHKD	DATE	UNIT: mm	PART NO.:		
△X					X.XXX	±0.05mm	APPD	DATE	SIZE: A4	DWG NO.:		
MARK	DESCRIPTION	DATE	REVISED	APPROVED	UNSPECIFIED TOLERANCES		KOSOD TECHNOLOGY CO., LTD			TM-8763		
www.bodongkaiguan.net		www.ksdkg.com								WEIGHT	SHEET	REVISION
										1.0g	1/1	A0