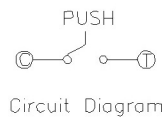


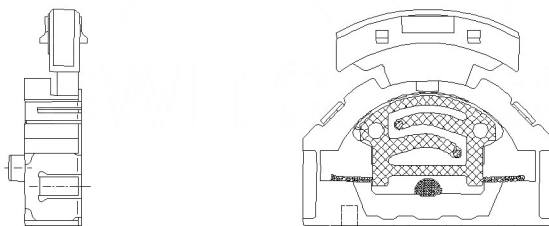
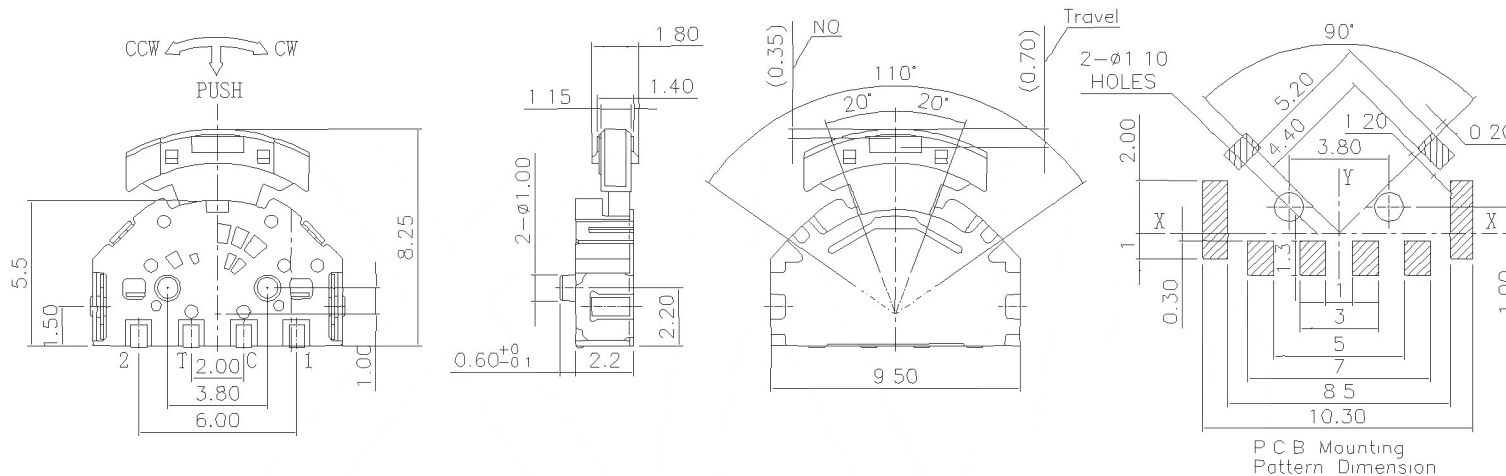
TER	ANG	0° (NO)			
		(20°)	(15°)	(15°)	(20°)
①					
②					
③					

CCW ← → CW

CODE TABLE



NOTE:
 Operating Force
 lever portion 100 ± 30 gf
 Push portion 205 ± 50 gf



ITEM	PAPT NAMF	TER.NO	QTY	MATERIAL	FINISHING	REMARK
⑥	Terminal	---	4	Brass(0.15t)	Plating silver	
⑤	Contact	---	1	F.ag/Brass	Plating silver	
④	Base	---	1	Nylon		
③	Spring	---	1	Sus	Natural	
②	Cover	---	1	Sus	Natural	
①	Keystake	---	1	Nylon		

REVISIONS					ANGLAR	±5°	DSND	DATE	SCALE: N/A	MODEL TYPE:		
Δx					X.X	±0.2mm	DWN		VIEW:	MULTI-FUNCTIONAL SWITCH		
Δx					X.XX	±0.1mm	CHKD		UNIT: mm	PART NO.:		
Δx					X.XXX	±0.05mm	APPD		SIZE: A4	DWG NO.:		
MARK	DESCRIPTION	DATE	REVISED	APPROVED	UNSPECIFIED TOLERANCES		KOSOD TECHNOLOGY CO., LTD			TM-2025A		
www.bodongkaiguan.net		www.ksdkg.com								WEIGHT 1.0g	SHEET 1/1	REVISION A0