

		0° (///=NO)			
TER	ANG	(20°)	(15°)	(15°)	(20°)
①		///			///
②					
③		///	///	///	///

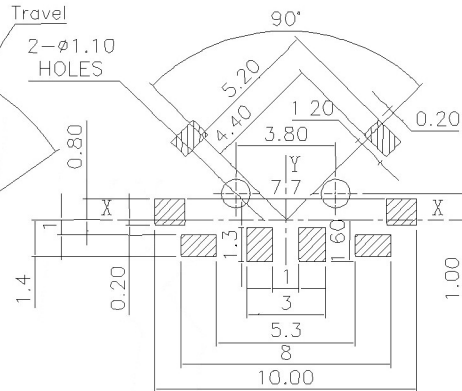
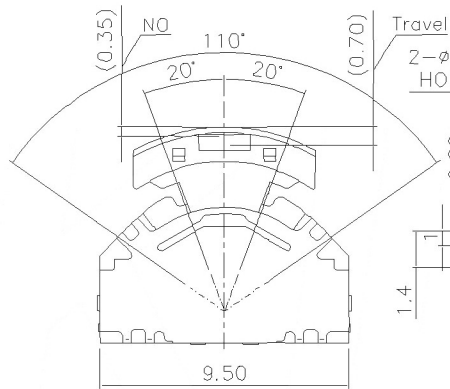
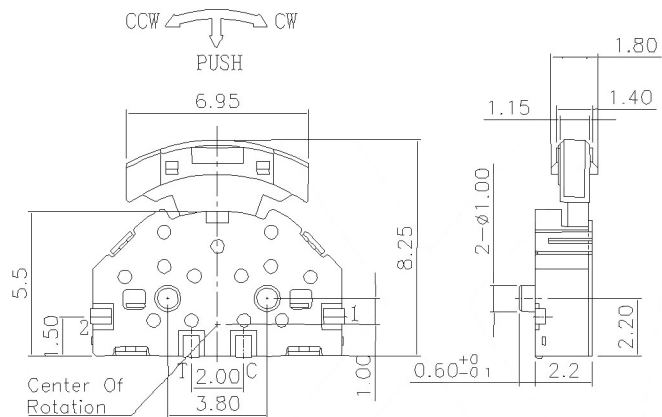
CCW ————— CW

CODE TABLE

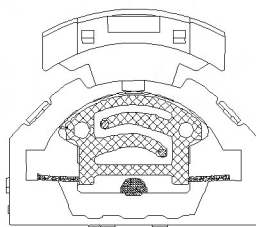
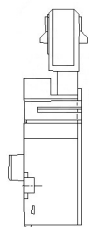


Circuit Diagram

NOTE:
Operating Force.
lever portion 100 ± 30 gf
Push portion 205 ± 50 gf



PCB Mounting Pattern Dimension



ITEM	PAPT NAMF	TER,NO	QTY	MATERIAL	FINISHING	REMARK
⑥	Terminal	---	4	Brass(0.15t)	Plating silver	---
⑤	Contact	---	1	F.ag/Brass	Plating silver	---
④	Base	---	1	Nylon	---	---
③	Spring	---	1	Sus	Natural	---
②	Cover	---	1	Sus	Natural	---
①	Keystake	---	1	Nylon	---	---

MARK	DESCRIPTION	DATE	REVISED	APPROVED	UNSPECIFIED TOLERANCES
ΔX					ANGULAR ±5°
ΔX					X.X ±0.2mm
ΔX					X.XX ±0.1mm
					X.XXX ±0.05mm
REVISIONS					
www.bodongkaiguan.net www.ksdkg.com					

DSND		DATE		SCALE: N/A	MODEL TYPE: MULTI-FUNCTIONAL SWITCH
DWN		DATE		VIEW:	PART NO.:
CHKD		DATE		UNIT: mm	DWG NO.:
APPD		DATE		SIZE: A4	TM-2024
				WEIGHT	SHEET
				1.0g	1/1
				REVISION	A0

KOSOD TECHNOLOGY CO., LTD