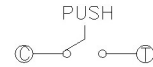


TER	0° (NO)			
	ANG. (20°)	(15°)	(15°)	(20°)
①				
②				
③				

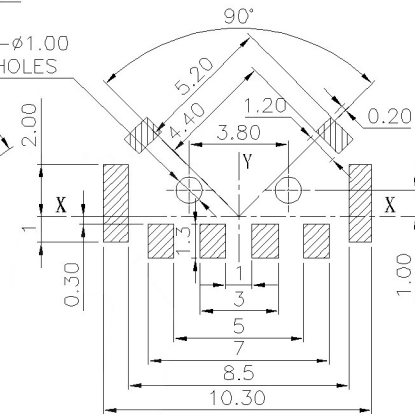
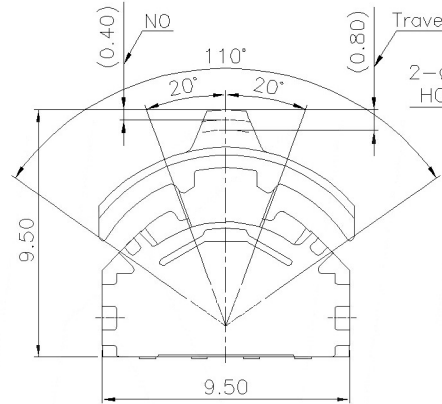
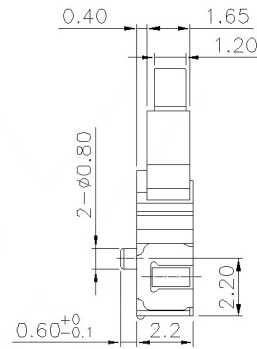
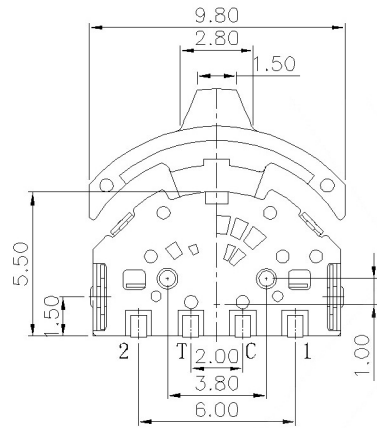
CCW ← → CW

CODE TABLE

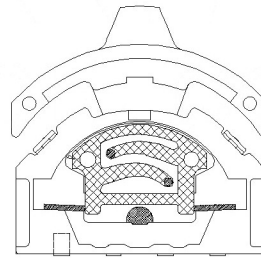
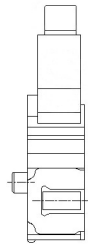


Circuit Diagram

NOTE:
Operating Force:
lever portion 100 ± 30 gf
Push portion 250 ± 50 gf



P.C.B Mounting Pattern Dimension



ITEM	PAPT NAMF	TER.NO	QTY	MATERIAL	FINISHING	REMARK
⑥	Terminal	—	4	Brass(0.15t)	Plating silver	
⑤	Contact	—	1	F.ag/Brass	Plating silver	
④	Base	—	1	Nylon		
③	Spring	—	1	Sus	Natural	
②	Cover	—	1	Sus	Natural	
①	Keystake	—	1	Nylon		

MARK	DESCRIPTION	DATE	REVISED	APPROVED	UNSPECIFIED TOLERANCES
ΔX					ANGULAR X.X ±5°
ΔX					X.XX ±0.2mm
ΔX					X.XXX ±0.1mm
					X.XXX ±0.05mm

DSND		DATE		SCALE: N/A	MODEL TYPE: MULTI-FUNCTIONAL SWITCH
DWN		DATE		VIEW:	PART NO.:
CHKD		DATE		UNIT: mm	DWG NO.:
APPD		DATE		SIZE: A4	TM-2023
				KOSOD TECHNOLOGY CO., LTD	WEIGHT 1.0g
					SHEET 1/1
					REVISION A0