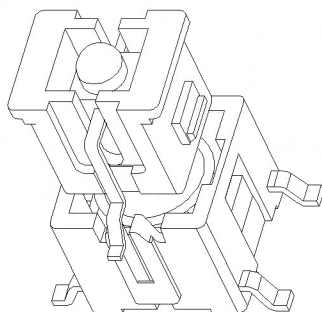
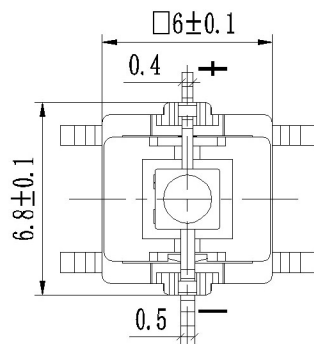
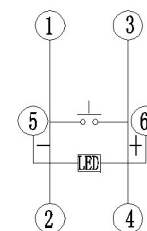


电原理图



Led Color	Part No	VR	IF	Recommended Operating	IF	
					Nom	Max
White	TM-001-M-01	DC5V	20mA	20mA	3.0V	3.6V
Red	TM-001-M-02	DC5V	20mA	20mA	1.7V	2.4V
Blue	TM-001-M-03	DC5V	20mA	20mA	3.0V	3.6V
Green	TM-001-M-04	DC5V	20mA	20mA	1.9V	2.4V
Yellow	TM-001-M-05	DC5V	20mA	20mA	1.9V	2.4V

⑦	LED	1			
⑥	Hat	1	ABS		
⑤	Terminal	4	Brass (0.30t)	ag Plated	
④	Contact	1	F.ag/SUS		
③	Base	1	PA66		
②	Cover	1	PA66		
①	Keystake	1	PA66		

ITEM	PAPT NAMF	TER.NO	QTY	MATERIAL	FINISHING	REMARK
------	-----------	--------	-----	----------	-----------	--------

DSND		DATE		SCALE: N/A	MODEL TYPE: LED SWITCH	
DWN		DATE		VIEW:	PART NO.:	
CHKD		DATE		UNIT: mm	DWG NO.:	
APPD		DATE		SIZE: A4	TM-001-M	
				WEIGHT	SHEET	REVISION
				1.0g	1/1	A0

KOSOD TECHNOLOGY CO., LTD

www.bodongkaiguan.net www.ksdkg.com

UNSPECIFIED TOLERANCES

MARK	DESCRIPTION	DATE	REVISED	APPROVED	ANGLAR	±5°
△X					L ≤ 4	±0.2
△X					4 < L ≤ 16	±0.3
△X					16 < L ≤ 63	±0.4
					L > 63	±0.5