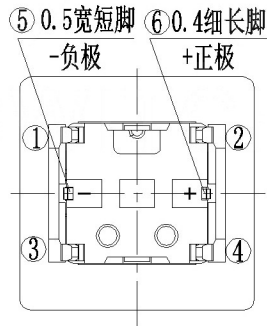
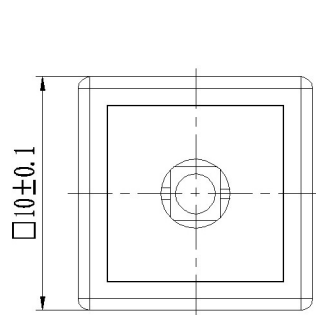
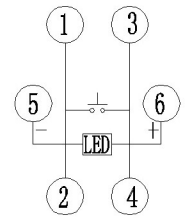
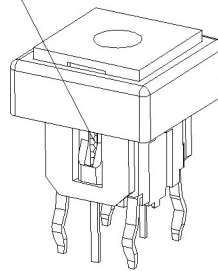


电原理图



灯脚负极涂红色



Led Color	Part No	VR	IF	Recommended Operating	IF	
					Nom	Max
White	TM-001-D5-01	DC5V	20mA	20mA	3.0V	3.6V
Red	TM-001-D5-02	DC5V	20mA	20mA	1.7V	2.4V
Blue	TM-001-D5-03	DC5V	20mA	20mA	3.0V	3.6V
Green	TM-001-D5-04	DC5V	20mA	20mA	1.9V	2.4V
Yellow	TM-001-D5-05	DC5V	20mA	20mA	1.9V	2.4V

⑦	LED		1			
⑥	Hat		1	ABS		
⑤	Terminal	—	4	Brass (0.30t)	ag Plated	—
④	Contact	—	1	F.ag/SUS		—
③	Base	—	1	PA66		—
②	Cover	—	1	PA66		—
①	Keystake	—	1	PA66		—
ITEM	PAPT NAMF	TER.NO	QTY	MATERIAL	FINISHING	REMARK

MARK	DESCRIPTION	DATE	REVISED	APPROVED	UNSPECIFIED TOLERANCES
△x					ANGULAR ±5°
△x					L ≤ 4 ±0.2
△x					4 < L ≤ 16 ±0.3
△x					16 < L ≤ 63 ±0.4
△x					L > 63 ±0.5

DSND	DATE	SCALE: N/A	MODEL TYPE: LED SWITCH
DWN	DATE	VIEW:	PART NO.:
CHKD	DATE	UNIT: mm	DWG NO.:
APPD	DATE	SIZE: A4	<b>TM-001-D5</b>
KOSOD TECHNOLOGY CO., LTD			WEIGHT 1.0g
			SHEET 1/1
			REVISION A0