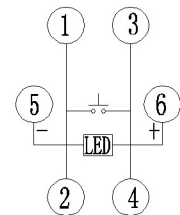
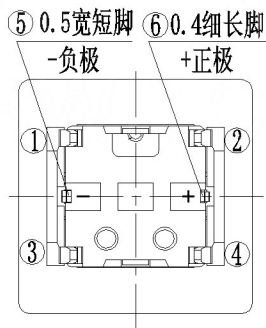
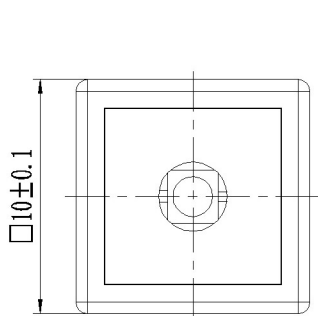


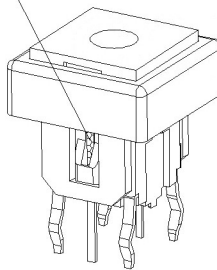
电原理图



Led Color	Part No	VR	IF	Recommended Operating	IF	
					Nom	Max
White	TM-001-D4-01	DC5V	20mA	20mA	3.0V _c	3.6V
Red	TM-001-D4-02	DC5V	20mA	20mA	1.7V	2.4V
Blue	TM-001-D4-03	DC5V	20mA	20mA	3.0V	3.6V
Green	TM-001-D4-04	DC5V	20mA	20mA	1.9V	2.4V
Yellow	TM-001-D4-05	DC5V	20mA	20mA	1.9V	2.4V



灯脚负极涂红色



ITEM	PAPT NAMF	TER.NO	QTY	MATERIAL	FINISHING	REMARK
⑦	LED		1			
⑥	Hat		1	ABS		
⑤	Terminal		4	Brass (0.30t)	ag Plated	
④	Contact		1	F.ag/SUS		
③	Base		1	PA66		
①	Cover		1	PA66		
①	Keystake		1	PA66		

MARK	DESCRIPTION	DATE	REVISED	APPROVED	UNSPECIFIED TOLERANCES
△X					ANGLAR ±5°
△X					L ≤ 4 ±0.2
△X					4 < L ≤ 16 ±0.3
△X					16 < L ≤ 63 ±0.4
△X					L > 63 ±0.5

DSND	DATE	SCALE: N/A	MODEL TYPE:
DWN	DATE	VIEW:	LED SWITCH
CHKD	DATE	UNIT: mm	PART NO.:
APPD	DATE	SIZE: A4	DWG NO.:
			TM-001-D4
KOSOD TECHNOLOGY CO., LTD			WEIGHT 1.0g
			SHEET 1/1
			REVISION A0