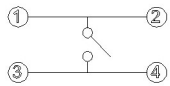
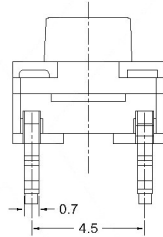
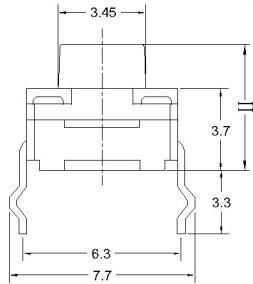


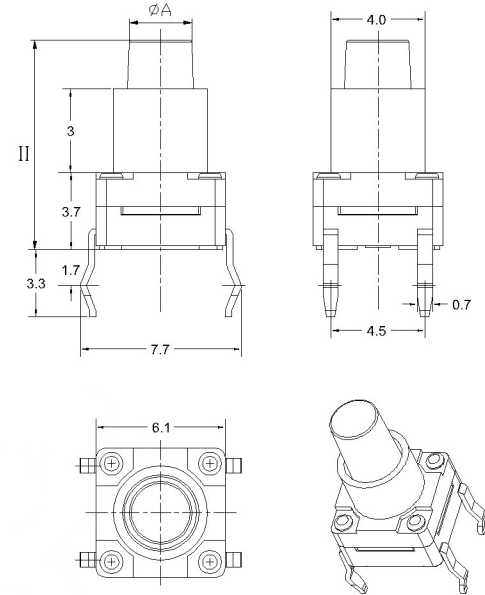
P.C.B LAYOUT
MOUNTING PATTERN



CIRCUIT DIAGRAM

Code-X	H
A	4.3
B	4.5
C	5.0
D	5.5
E	6.0
F	6.5
G	7.0
H	7.5
I	8.0
J	8.5
K	9.0

Code-X	H
L	9.5
M	10.0
N	10.5
O	11.0
P	11.5
Q	12
R	12.5
S	13.0
T	13.5
U	14.0
V	15.0
W	15.5
X	16
Y	16.5
Z	17
18	18
19	19



SPECIFICATION

Contact Rating : 50mA, 12V DC
 Contact Resistance : 100mΩ max
 Insulation Resistance : 100mΩ min. 500V DC
 Dielectric Strength : 250V AC/1minute
 Travel : 0.25mm
 Operating Temp : -25℃ ~ +80℃
 Storage Temp : -30℃ ~ +80℃

PAPT NO	TC-FS66D-X-X
Operating Force	A: 100gf B: 160gf C: 260gf
Height	Code-X

ITEM	PAPT NAMF	TER.NO	QTY	MATERIAL	FINISHING	REMARK
⑤	Terminal	---	4	Brass (0.30t)	Plating silvering	---
④	Contact	---	1	F. ag/Sus	Natural	---
③	Base	---	1	Pa46		---
②	Cover	---	1	Pa46		---
①	Keystake	---	1	Pa46		---

					DSND	DATE	SCALE: N/A	MODEL TYPE:		
					DWN	DATE	VIEW:	TACT SWITCH		
					CHKD	DATE	UNIT: mm	PART NO.:		
					APPD	DATE	SIZE: A4	DWG NO.:		
								TC-FS66D-X-X		
								WEIGHT	SHEET	REVISION
								1.0g	1/1	A0

MARK	DESCRIPTION	DATE	REVISED	APPROVED	UNSPECIFIED TOLERANCES
ΔX					units: mm
ΔX					tolerance: X.X ±0.2mm
ΔX					X.XX ±0.1mm
					X.XXX ±0.05mm