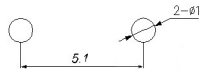
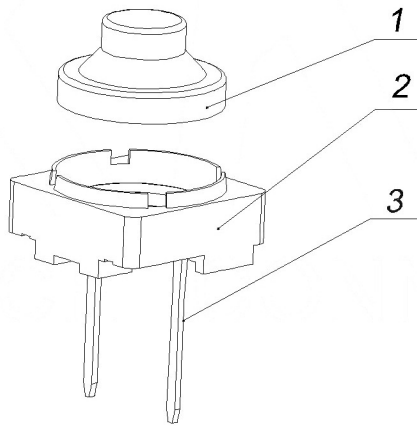
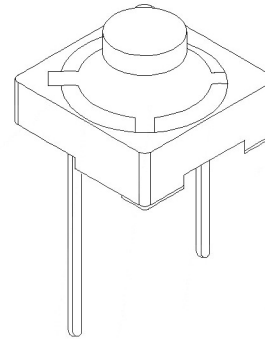


SCHEMATIC



Recommended P.C.B layout



SPECIFICATION

Contact Rating : 50mA, 12V DC  
 Contact Resistance : 100mΩ max  
 Insulation Resistance : 100mΩ min. 500V DC  
 Dielectric Strength : 250V AC/1minute  
 Travel : 1.2mm  
 Operating Temp : -30°C~+85°C  
 Storage Temp : -30°C~+80°C

PAPT NO	TC-1117D-X
Operating Force	A: 120gf B: 160gf C: 260gf
Height	H: 5.0

ITEM	PAPT NAME	TER. NO	QTY	MATERIAL	FINISHING	REMARK
③	Terminal	2	Brass (0.30t)	Plating silvering		
②	Base	1	Pa46			
①	Keystake	1	Silica gel			

MARK	DESCRIPTION	DATE	REVISED	APPROVED	UNSPECIFIED TOLERANCES
ΔX					units: mm
ΔX					tolerance: X.X ±0.2mm
ΔX					X.XX ±0.1mm
MARK					X.XXX ±0.05mm
REVISIONS					UNSPECIFIED TOLERANCES
www.bodongkaiguan.net www.ksdkg.com					

DSND	DATE	SCALE: N/A	MODEL TYPE: TACT SWITCH
DWN	DATE	VIEW:	PART NO.:
CHKD	DATE	UNIT: mm	DWG NO.:
APPD	DATE	SIZE: A4	TC-1117D-X
KOSOD TECHNOLOGY CO., LTD			WEIGHT: 1.0g
			SHEET: 1/1
			REVISION: A0