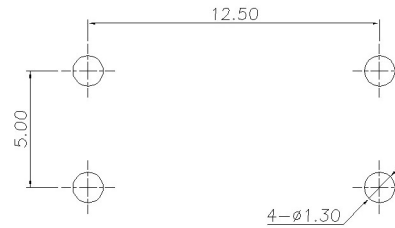
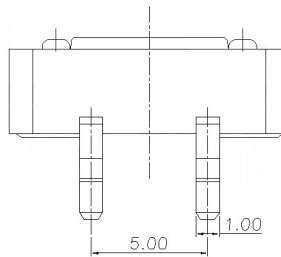
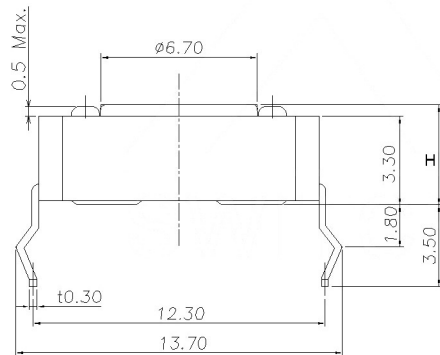
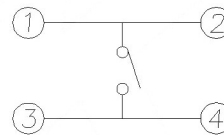


P.C.B Mounting pattern Dimension



Circuit diagram



Code-X	H	Code-X	H
A	4.3	O	11.0
B	4.5	P	11.5
C	5.0	Q	12
D	5.5	R	12.5
E	6.0	S	13.0
F	6.5	T	13.5
G	7.0	U	14.0
H	7.5	V	15.0
I	8.0	W	16
J	8.5	X	17
K	9.0	Y	18
L	9.5	Z	19
M	10.0		
N	10.5		

**SPECIFICATION**

**Contact Rating:** 50mA, 12V DC  
**Contact Resistance:** 100mΩ max  
**Insulation Resistance:** 100mΩ min. 500V DC  
**Dielectric Strength:** 250V AC/1minute  
**Travel:** 0.25mm  
**Operating Temp:** -30°C~+85°C  
**Storage Temp:** -30°C~+80°C

PAPT NO	TC-1103-X-X
Operating Force	B: 160g(C: 260g)
Height	Code-X

⑤	Terminal	4	Brass (0.30t)	Plating silvering		
④	Contact	1	F.ag/Sus	Natural		
③	Base	1	Pa46			
②	Cover	1	Spcc	Plating Nickel		
①	Keystake	1	Pa46			
<b>ITEM</b>	<b>PAPT NAME</b>	<b>TER,NO</b>	<b>QTY</b>	<b>MATERIAL</b>	<b>FINISHING</b>	<b>REMARK</b>

					DSND	DATE	SCALE: N/A	MODEL TYPE:		
					DWN	DATE	VIEW:	<b>TACT SWITCH</b>		
					CHKD	DATE	UNIT: mm	PART NO.:		
					APPD	DATE	SIZE: A4	DWG NO.:		
					KOSOD TECHNOLOGY CO., LTD			TC-1103-X-X		
								WEIGHT	SHEET	REVISION
								1.0g	1/1	A0

					units:	mm
					tolerance:	
					X.X	±0.2mm
					X.XX	±0.1mm
					X.XXX	±0.05mm
					UNSPECIFIED TOLERANCES	

MARK	DESCRIPTION	DATE	REVISED	APPROVED
REVISIONS				
www.bodongkaiguan.net www.ksdkg.com				