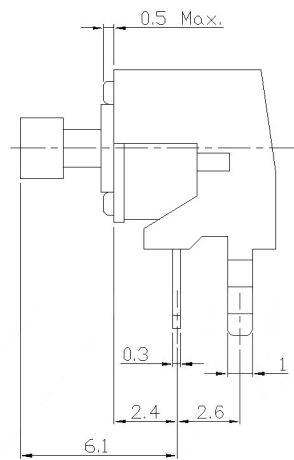
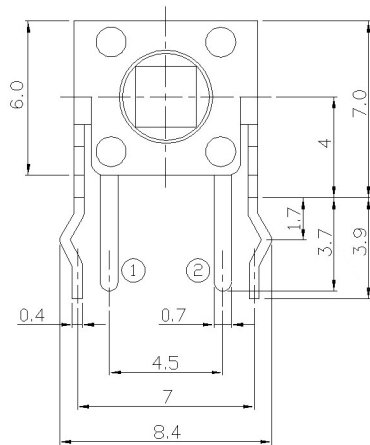
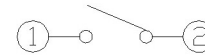


DIMENSIONS



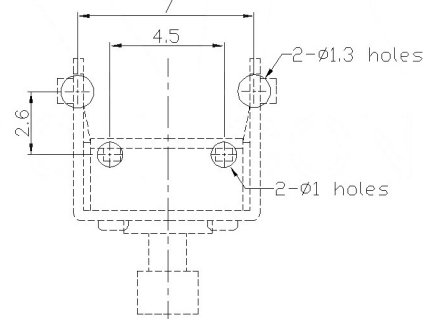
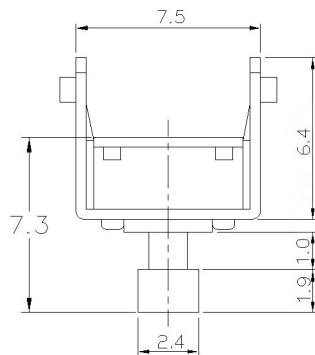
CIRCUIT DIAGRAM



SPECIFICATION

Contact Rating: 50mA,12V DC
Contact Resistance: 100mΩ max
Insulation Resistance: 100mΩ min.500V DC
Dielectric Strength: 250V AC/1minute
Travel: 0.25mm
Operating Temp: -30°C~+85°C
Storage Temp: -30°C~+80°C

P.C.B MOUNTING PATTERN DIMENSION
The following soldering patterns are recommended for reflow soldering



PAPT NO	TC-1102NT-X
Operating Force	A:100gf B:160gf C:260gf
Height	H: 7.3

ITEM	PAPT NAMF	TER.NO	QTY	MATERIAL	FINISHING	REMARK
⑤	Terminal	—	2	Brass (0.30t)	Plating silvering	—
④	Contact	—	1	F.ag/Sus	Natural	—
③	Base	—	1	Pa46	—	—
②	Cover	—	1	Spcc	Plating Nickel	—
①	Keystake	—	1	Pa46	—	—

					units:	mm	DSND	DATE	SCALE: N/A	MODEL TYPE:		
ΔX					tolerance:		DWN	DATE	VIEW:	TACT SWITCH		
ΔX					X.X	±0.2mm	CHKD	DATE	UNIT: mm	PART NO.:		
ΔX					X.XX	±0.1mm	APPD	DATE	SIZE: A4	DWG NO.:		
MARK	DESCRIPTION	DATE	REVISED	APPROVED	X.XXX	±0.05mm				TC-1102NT-X		
					UNSPECIFIED TOLERANCES		KOSOD TECHNOLOGY CO., LTD			WEIGHT	SHEET	REVISION
										1.0g	1/1	A0