

CIRCUIT DIAGRAM

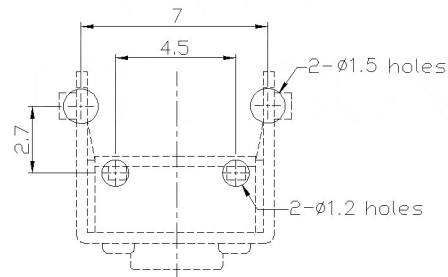
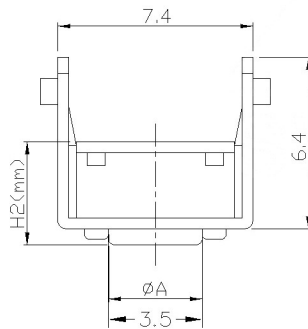


H	H1	H2	φA	L
AI	3.15	4.3	3.5	3.7
AS	3.35	4.5	3.5	
A	3.85	5.0	3.5	
AL	4.35	5.5	3.4	
Q	4.85	6.0	3.4	
QL	5.35	6.5	3.4	
B	5.85	7.0	3.4	
E	6.15	7.3	3.4	
EL	6.35	7.5	3.4	
C	6.85	8.0	3.4	
CL	7.35	8.5	3.4	
DS	7.85	9.0	3.4	
D	8.35	9.5	3.4	
DL	8.85	10.0	3.0	
KS	9.35	10.5	3.0	
K	9.85	11.0	3.0	
KL	10.35	11.5	3.0	
FS	10.85	12.0	3.0	
F	11.35	12.5	3.0	
FL	11.85	13.0	3.0	
G	12.35	13.5	3.0	
D	12.85	14.0	3.0	
X	13.35	14.5	3.0	
Y	13.85	15.0	3.0	
Z	14.85	16.0	3.0	
J	15.15	16.3	3.0	
I	15.85	17.0	3.0	

SPECIFICATION

**Contact Rating:** 50mA, 12V DC  
**Contact Resistance:** 100mΩ max  
**Insulation Resistance:** 100mΩ min. 500V DC  
**Dielectric Strength:** 250V AC/1minute  
**Travel:** 0.25mm  
**Operating Temp:** -30°C ~ +85°C  
**Storage Temp:** -30°C ~ +80°C

P.C.B MOUNTING PATTERN DIMENSION  
The following soldering patterns are recommended for reflow soldering



PAPT NO	TC-1102N-X-X-X
Operating Force	A: 100gf B: 160gf C: 260gf
Height	H
color	B:Black BR: Brown R: Red O: Orange G: Green Y: Yellow BL: Blue W: White

ITEM	PAPT NAMF	TER.NO	QTY	MATERIAL	FINISHING	REMARK
⑤	Terminal	—	2	Brass (0.30t)	Plating silvering	—
④	Contact	—	1	F.ag/Sus	Natural	—
③	Base	—	1	Pa46	—	—
②	Cover	—	1	Spcc	Plating Nickel	—
①	Keystake	—	1	Pa46	—	—

					units:	mm	DSND		DATE	SCALE: N/A	MODEL TYPE:		
Δx					tolerance:		DWN		DATE	VIEW:	TACT SWITCH		
Δx					X.X	±0.2mm	CHKD		DATE	UNIT: mm	PART NO.:		
Δx					X.XX	±0.1mm	APPD		DATE	SIZE: A4	DWG NO.:		
MARK	DESCRIPTION	DATE	REVISED	APPROVED	X.XXX	±0.05mm					TC-1102N-X-X-X		
					UNSPECIFIED TOLERANCES		KOSOD TECHNOLOGY CO., LTD				WEIGHT	SHEET	REVISION
www.bodongkaiguan.net www.ksdkg.com											1.0g	1/1	A0