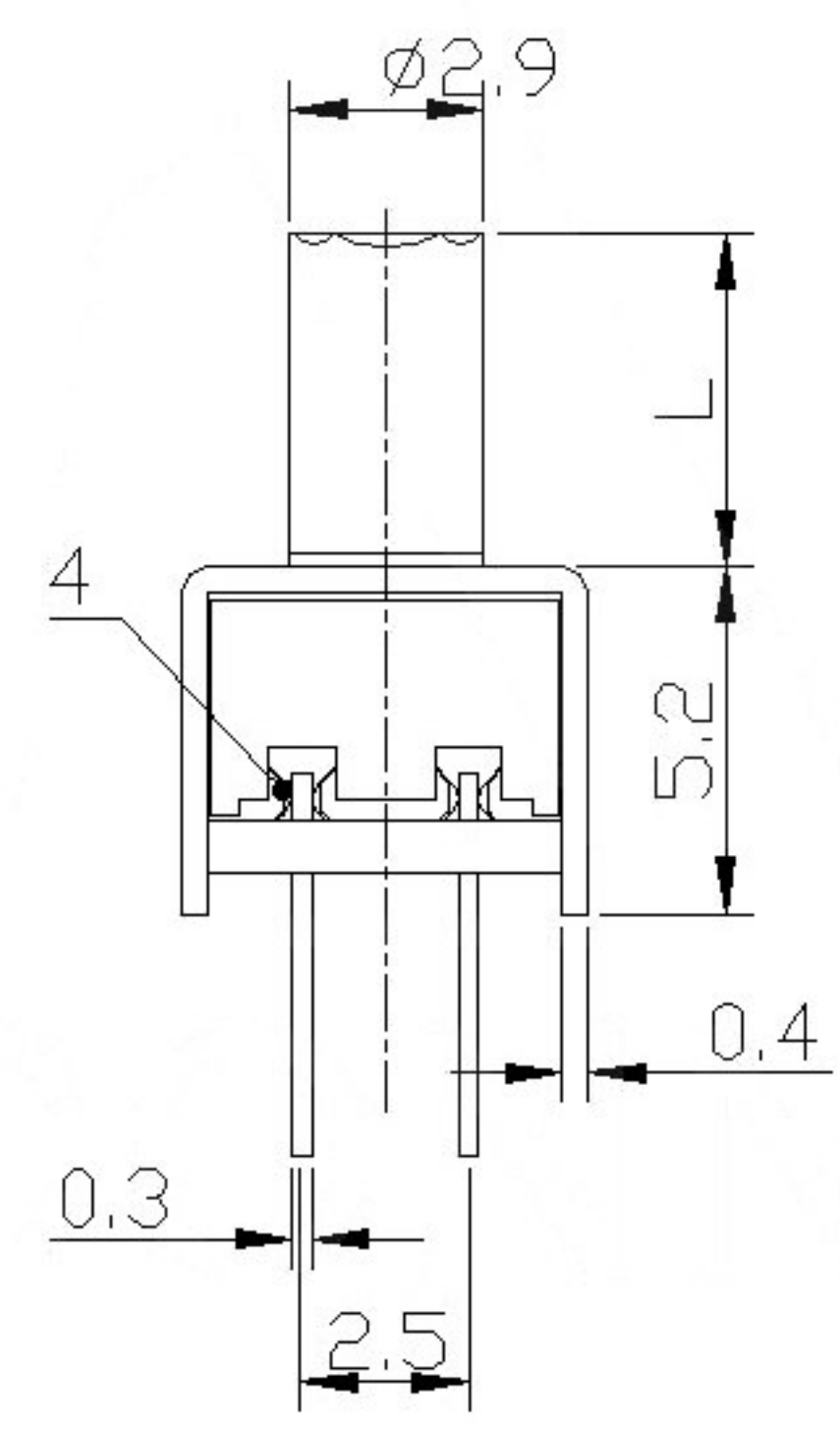
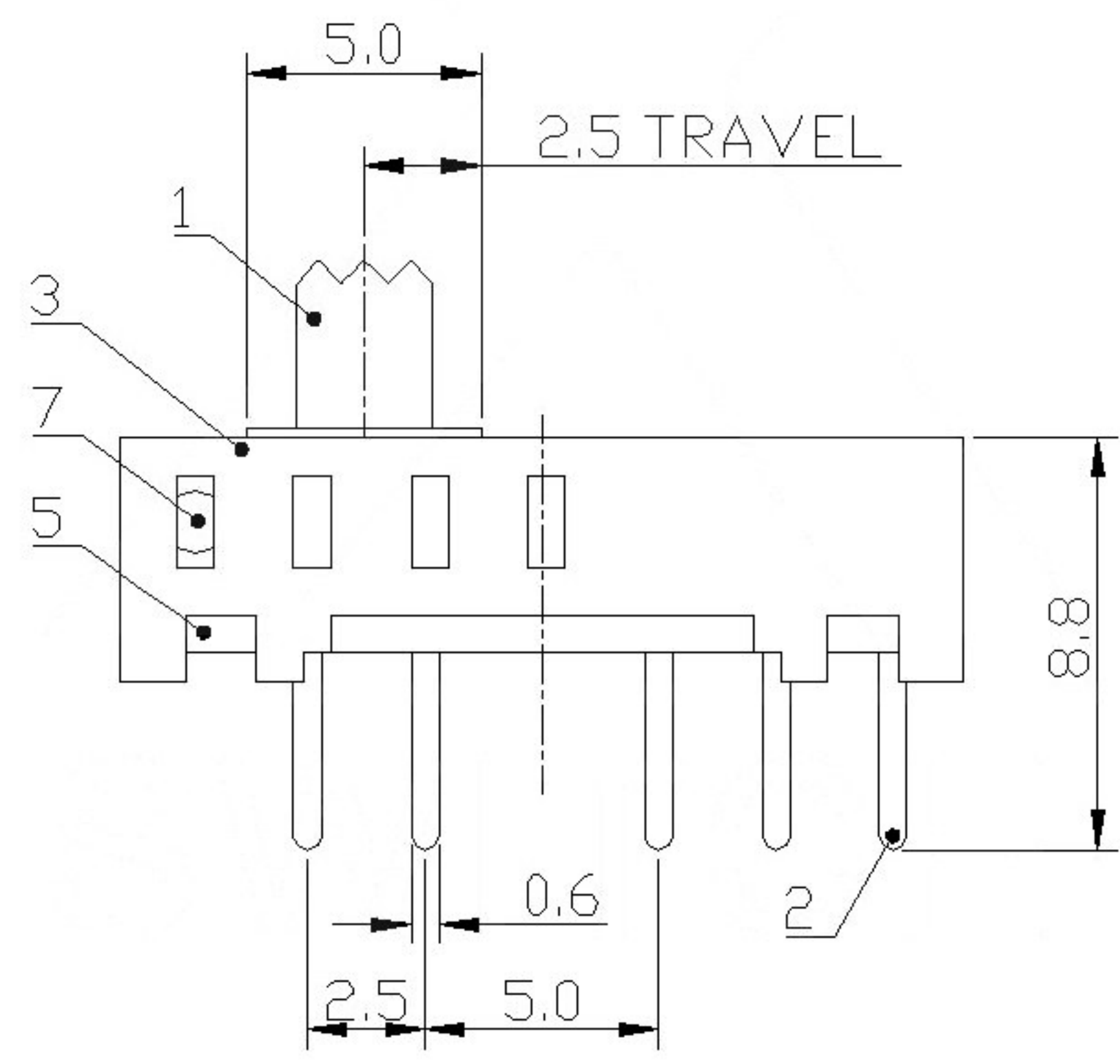


MODEL CODE

SS-24E01 -

Knob Type		L (mm)
GBG		~
GEA		
NYB		



RATING	0.3A 50V DC
CIRCUIT	1P2T
CONTACT RESISTANCE	100mΩ MAX.
TRAVEL	2mm
OPERATING FORCE	250±100gf
OPERATING LIFE(cycles)	10,000

MARK	DESCRIPTION	DATE	REVISED	APPROVED	UNSPECIFIED TOLERANCES	DSND	DATE	SCALE: N/A	MODEL TYPE: SLIDE SWITCH		
ΔX					ANGULAR ±5°	DWN	DATE	VIEW:	PART NO.: SS-24E01		
ΔX					L ≤ 4 ±0.2	CHKD	DATE	UNIT: mm	DWG NO.: SS-24E01-X-X		
ΔX					4 < L ≤ 16 ±0.3	APPD	DATE	SIZE: A4			
					16 < L ≤ 63 ±0.4	KOSOD TECHNOLOGY CO., LTD			WEIGHT	SHEET	REVISION
					L > 63 ±0.5				1.0g	1/1	A0
REVISIONS											
www.bodongkaiguan.net www.ksdkg.com											