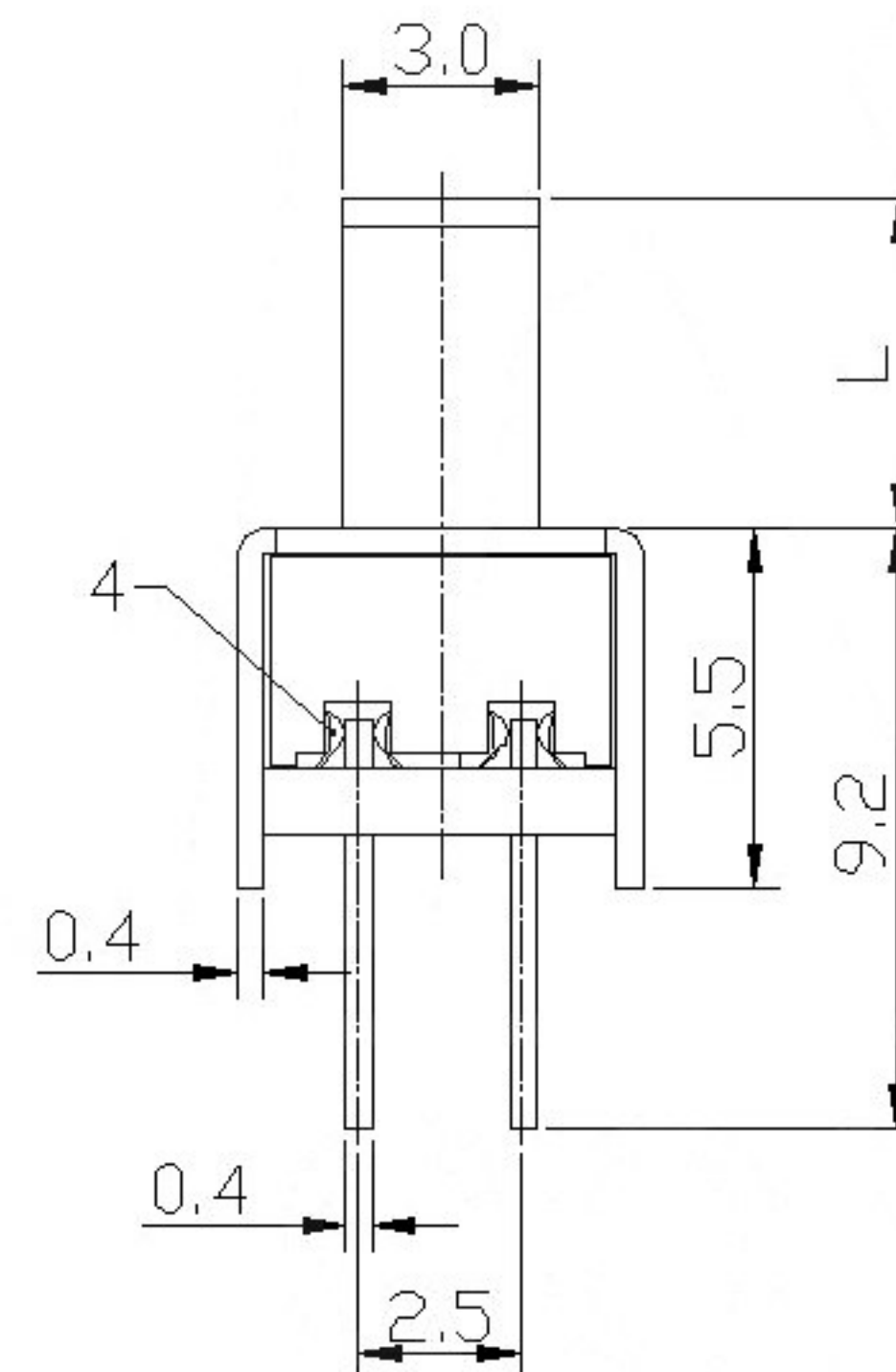
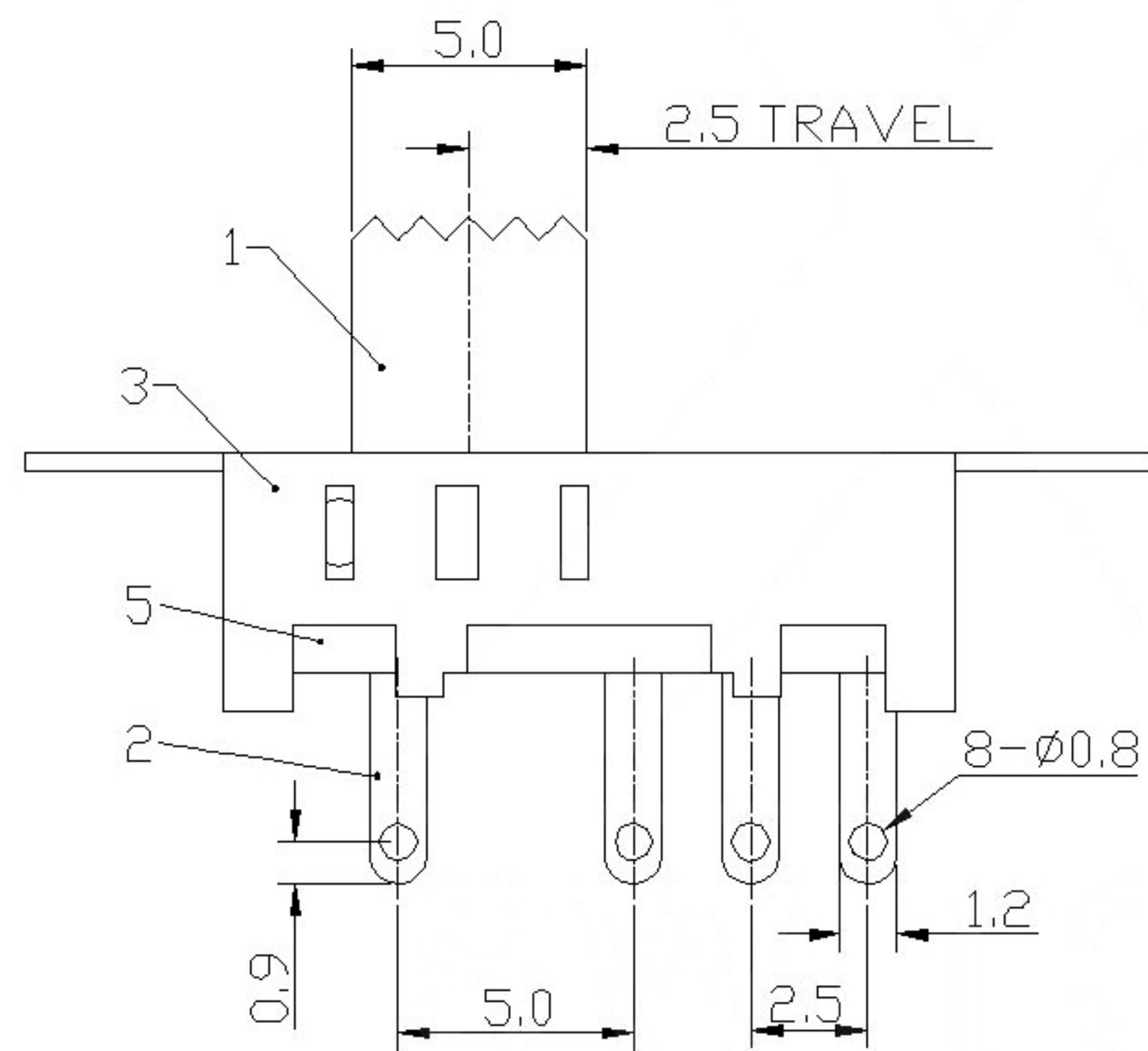


MODEL CODE

SS-23E04 -



RATING	0.3A 50V DC
CIRCUIT	1P2T
CONTACT RESISTANCE	100mΩ MAX.
TRAVEL	2mm
OPERATING FORCE	250±100gf
OPERATING LIFE(cycles)	10,000

REVISIONS					UNSPECIFIED TOLERANCES	DSND	DATE	SCALE: N/A	MODEL TYPE: SLIDE SWITCH		
ΔX					ANGULAR				PART NO.: SS-23E04		
ΔX					L ≤ 4	±5°		VIEW:			
ΔX					4 < L ≤ 16	±0.2		UNIT: mm			
MARK	DESCRIPTION	DATE	REVISED	APPROVED	16 < L ≤ 63	±0.3		SIZE: A4	DWG NO.: SS-23E04-X		
					L > 63	±0.4			WEIGHT	SHEET	REVISION
www.bodongkaiguan.net www.ksdkg.com									1.0g	1/1	A0
								KOSOD TECHNOLOGY CO., LTD			