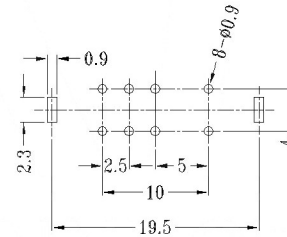
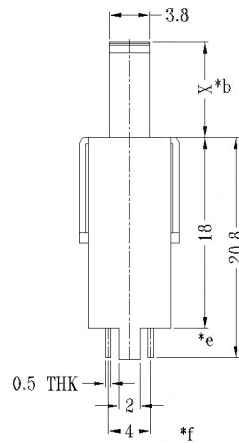
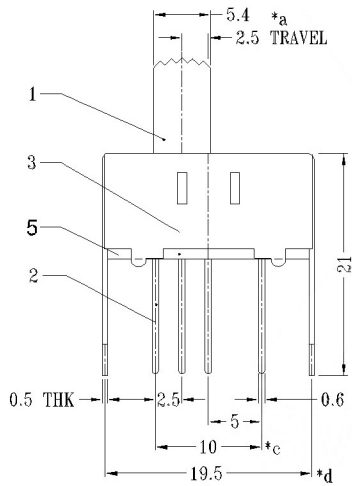


MODEL CODE

SS-23E03 -

L (mm)
~



P.C.B. LAYOUT
BOTTOM VIEW

RATING	0.3A 50V DC
CIRCUIT	1P2T
CONTACT RESISTANCE	100mΩ MAX.
TRAVEL	2mm
OPERATING FORCE	250±100gf
OPERATING LIFE(cycles)	10,000

					DSND		DATE		SCALE: N/A	MODEL TYPE: SLIDE SWITCH		
ΔX					ANGLAR	±5°	DATE		VIEW:	PART NO.: SS-23E03		
ΔX					L ≤ 4	±0.2	DATE		UNIT: mm	DWG NO.: SS-23E03-X-X		
ΔX					4 < L ≤ 16	±0.3	DATE		SIZE: A4			
MARK	DESCRIPTION	DATE	REVISED	APPROVED	16 < L ≤ 63	±0.4	DATE					
					L > 63	±0.5	DATE					
					UNSPECIFIED TOLERANCES					WEIGHT	SHEET	REVISION
							KOSOD TECHNOLOGY CO., LTD			1.0g	1/1	A0