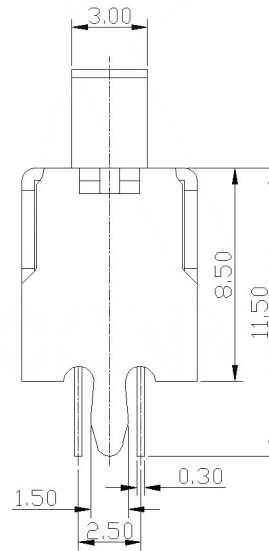
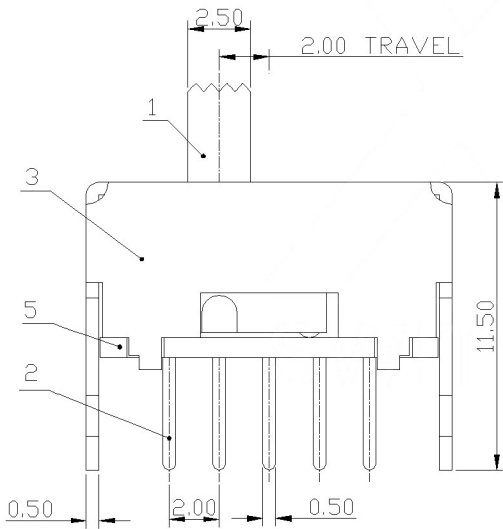
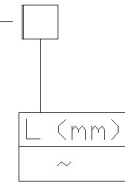


MODEL CODE

SS-23D28 -



RATING	0.3A 50V DC
CIRCUIT	1P2T
CONTACT RESISTANCE	100ms MAX.
TRAVEL	2mm
OPERATING FORCE	250±100gf
OPERATING LIFE(cycles)	10,000

REVISIONS							UNSPECIFIED TOLERANCES		DSND	DATE	SCALE: N/A	MODEL TYPE:		
ΔX							ANGULAR	±5°	DWN	DATE	VIEW:	SLIDE SWITCH		
ΔX							L ≤ 4	±0.2	CHKD	DATE	UNIT: mm	PART NO.: SS-23D28		
ΔX							4 < L ≤ 16	±0.3	APPD	DATE	SIZE: A4	DWG NO.: SS-23D28-X-X		
MARK	DESCRIPTION	DATE	REVISED	APPROVED			16 < L ≤ 63	±0.4				WEIGHT	SHEET	REVISION
							L > 63	±0.5				1.0g	1/1	A0
www.bodongkaiguan.net www.ksdkg.com									KOSOD TECHNOLOGY CO., LTD					