

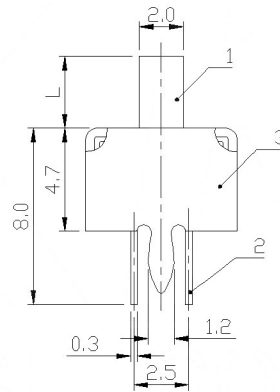
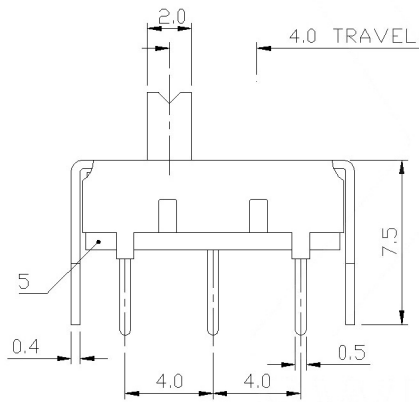
MODEL CODE

SS-22H06 -

L (mm)
~

OPTIONAL KNOB TYPE

NTF	
NTJ	
NYG	
NYF	
GBF	
GRD	



RATING	0.3A 50V DC
CIRCUIT	1P2T
CONTACT RESISTANCE	100mΩ MAX.
TRAVEL	2mm
OPERATING FORCE	250±100gf
OPERATING LIFE(cycles)	10,000

MARK	DESCRIPTION	DATE	REVISED	APPROVED	UNSPECIFIED TOLERANCES
ΔX					ANGULAR ±5°
ΔX					L ≤ 4 ±0.2
ΔX					4 < L ≤ 16 ±0.3
					16 < L ≤ 63 ±0.4
					L > 63 ±0.5

DSND	DATE	SCALE: N/A
DWN	DATE	VIEW:
CHKD	DATE	UNIT: mm
APPD	DATE	SIZE: A4

MODEL TYPE:	SLIDE SWITCH
PART NO.:	SS-22H06
DWG NO.:	SS-22H06-X-X

> Kosod Technology Co., Ltd.

WEIGHT	SHEET	REVISION
1.0g	1/1	A0