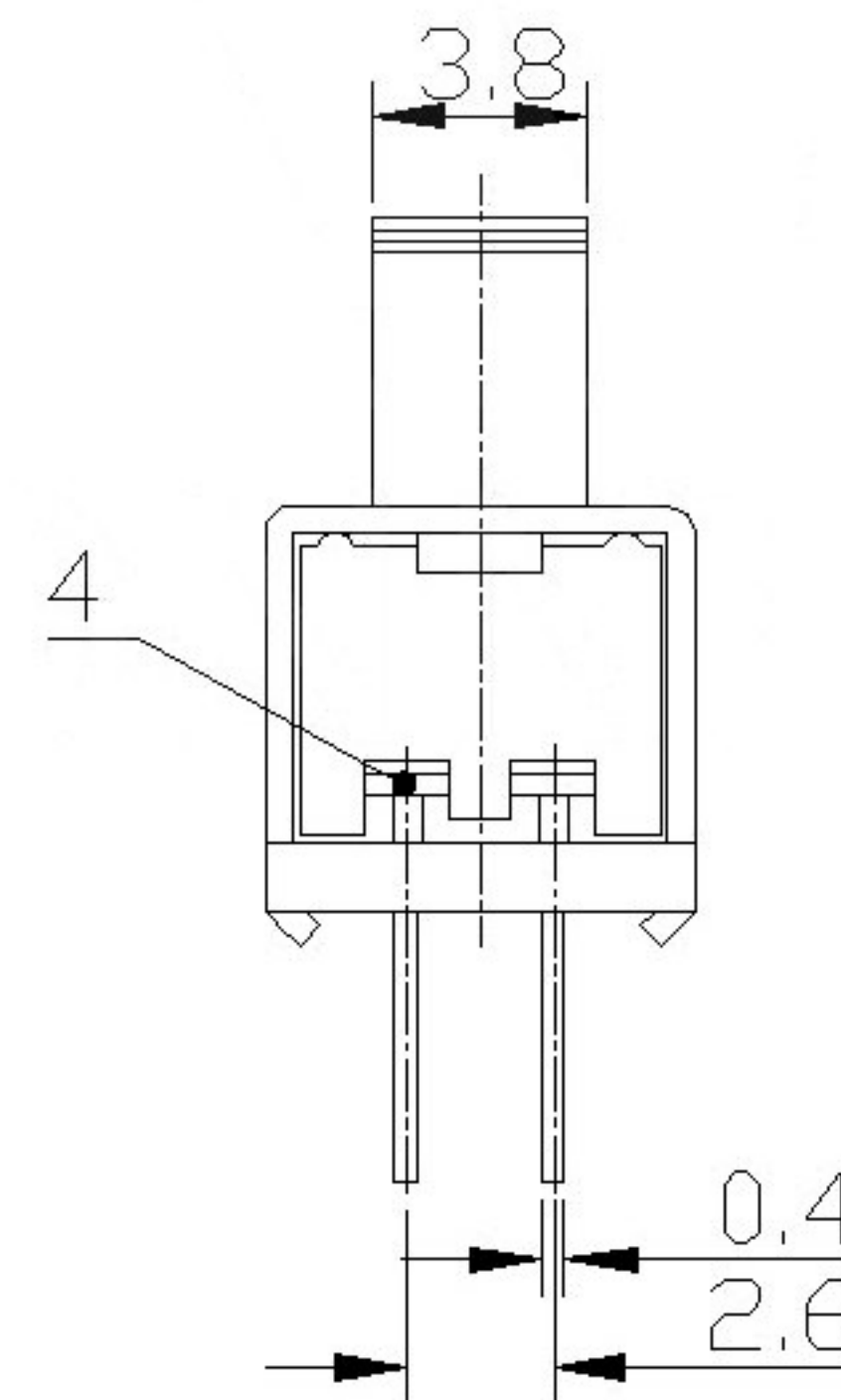
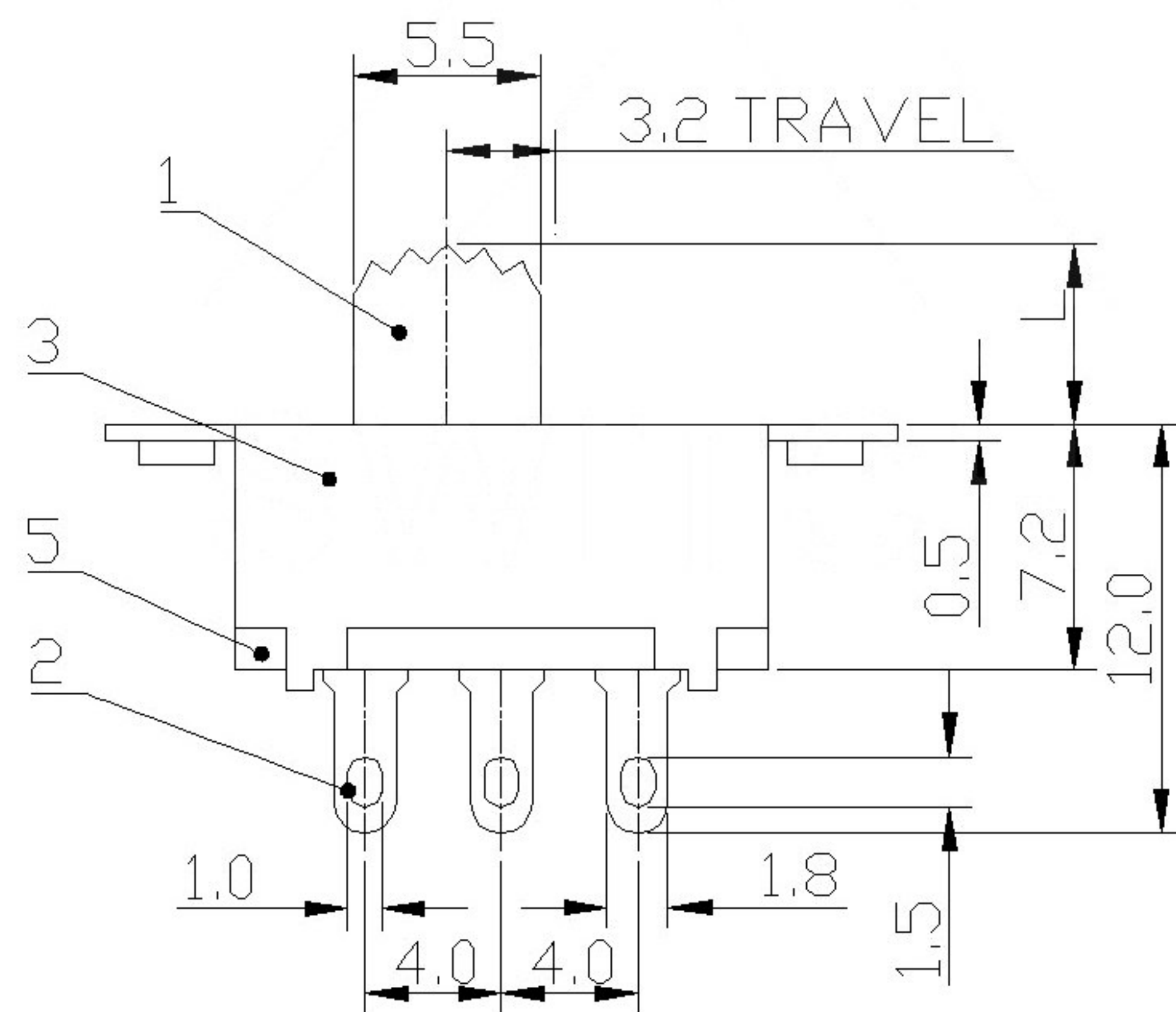


MODEL CODE

SS-22F25 -

L (mm)

~



RATING	0.3A 50V DC
CIRCUIT	1P2T
CONTACT RESISTANCE	100mΩ MAX.
TRAVEL	2mm
OPERATING FORCE	250±100gf
OPERATING LIFE(cycles)	10,000

MARK	DESCRIPTION	DATE	REVISED	APPROVED	UNSPECIFIED TOLERANCES	DSND	DATE	SCALE: N/A	MODEL TYPE: SLIDE SWITCH		
ΔX					ANGLAR ±5°	DWN	DATE	VIEW:	PART NO.: SS-22F25		
ΔX					L ≤ 4 ±0.2	CHKD	DATE	UNIT: mm	DWG NO.: SS-22F25-X-X		
ΔX					4 < L ≤ 16 ±0.3	APPD	DATE	SIZE: A4			
					16 < L ≤ 63 ±0.4				WEIGHT	SHEET	REVISION
					L > 63 ±0.5				1.0g	1/1	A0
www.bodongkaiguan.net www.ksdkg.com									KOSOD TECHNOLOGY CO., LTD		