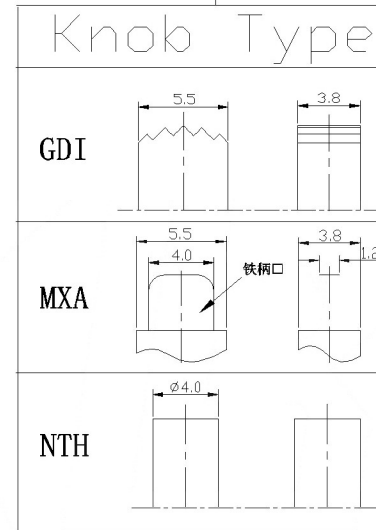
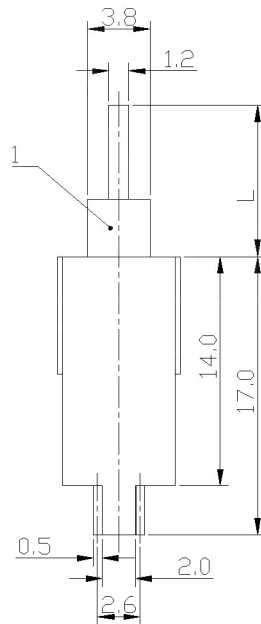
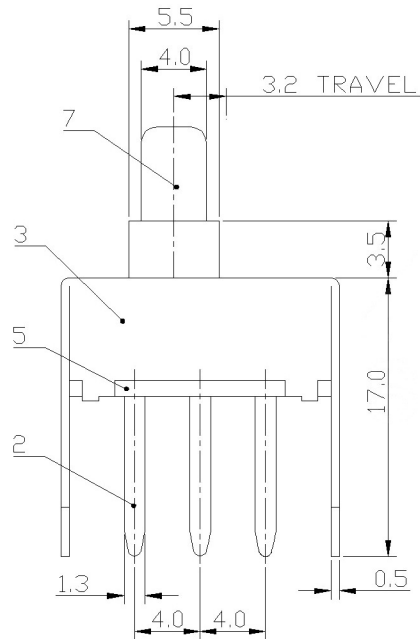
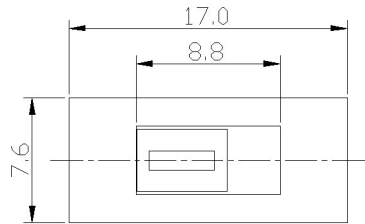


MODEL CODE SS-22F17 -



L (mm)
~

RATING	0.3A 50V DC
CIRCUIT	1P2T
CONTACT RESISTANCE	100mΩ MAX.
TRAVEL	2mm
OPERATING FORCE	250±100gf
OPERATING LIFE(cycles)	10,000

ΔX					ANGULAR	±5°
ΔX					L ≤ 4	±0.2
ΔX					4 < L ≤ 16	±0.3
MARK	DESCRIPTION	DATE	REVISED	APPROVED	16 < L ≤ 63	±0.4
					L > 63	±0.5
					UNSPECIFIED TOLERANCES	
REVISIONS						
www.bodongkaiguan.net		www.ksdkg.com				

DSND	DATE	SCALE: N/A	MODEL TYPE:
DWN	DATE	VIEW:	SLIDE SWITCH
CHKD	DATE	UNIT: mm	PART NO.: SS-22F17
APPD	DATE	SIZE: A4	DWG NO.: SS-22F17-X-X
		WEIGHT	SHEET
		1.0g	1/1
		REVISION	A0

KOSOD TECHNOLOGY CO., LTD