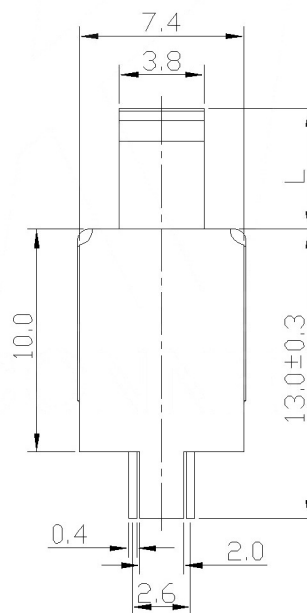
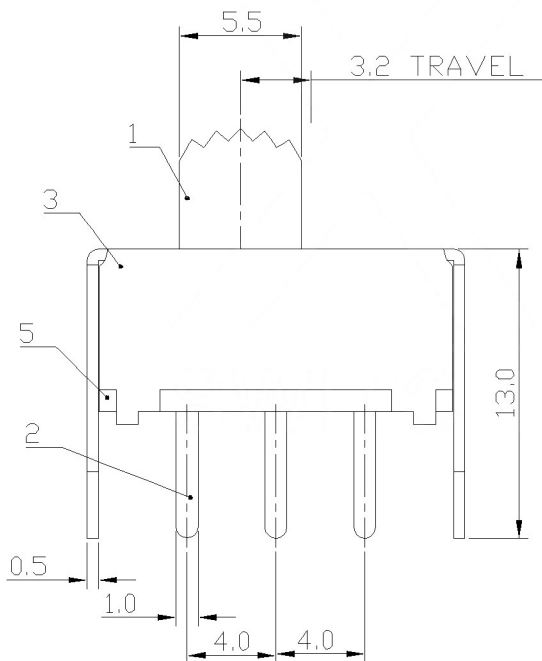
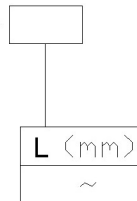


MODEL CODE

SS-22F08 -



RATING	0.3A 50V DC
CIRCUIT	1P2T
CONTACT RESISTANCE	100mΩ MAX.
TRAVEL	2mm
OPERATING FORCE	250±100gf
OPERATING LIFE<cycles>	10,000

				ANGLAR	±5°	DSND	DATE	SCALE: N/A	MODEL TYPE:		
				L ≤ 4	±0.2	DWN	DATE	VIEW:	SLIDE SWITCH		
				4 < L ≤ 16	±0.3	CHKD	DATE	UNIT: mm	PART NO.: SS-22F08		
				16 < L ≤ 63	±0.4	APPD	DATE	SIZE: A4	DWG NO.:		
				L > 63	±0.5				SS-22F08-X-X		
				UNSPECIFIED TOLERANCES					WEIGHT	SHEET	REVISION
						Kosod Technology Co., Ltd.			1.0g	1/1	A0
ΔX											
ΔX											
ΔX											
MARK	DESCRIPTION	DATE	REVISED	APPROVED							
REVISIONS											
www.bodongkaiguan.net		www.ksdkg.com									