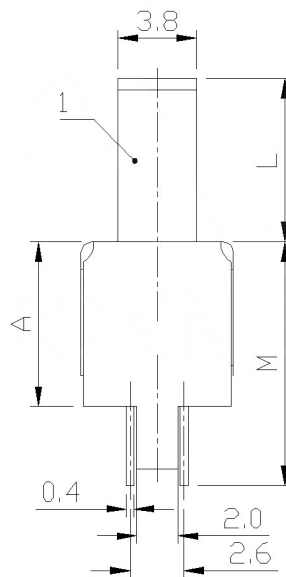
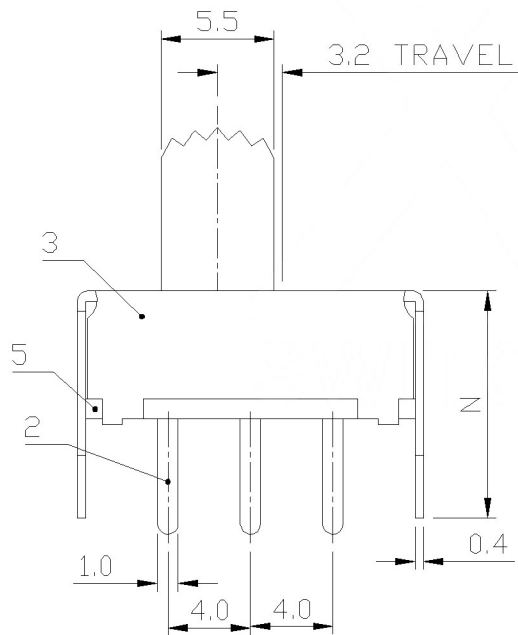
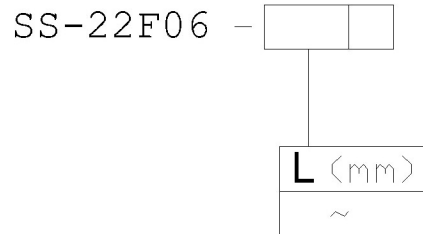


MODEL CODE



RATING	0.3A 50V DC
CIRCUIT	1P2T
CONTACT RESISTANCE	100m MAX.
TRAVEL	2mm
OPERATING FORCE	250±100gf
OPERATING LIFE(cycles)	10,000

					ANGLAR	±5°	DSND		DATE		SCALE: N/A	MODEL TYPE: SLIDE SWITCH		
					L ≤ 4	±0.2	DWN		DATE		VIEW:	PART NO.: SS-22F06		
					4 < L ≤ 16	±0.3	CHKD		DATE		UNIT: mm	DWG NO.:		
					16 < L ≤ 63	±0.4	APPD		DATE		SIZE: A4	SS-22F06-X-X		
					L > 63	±0.5						'WEIGHT	SHEET	REVISION
					UNSPECIFIED TOLERANCES							1.0g	1/1	A0
							KOSOD TECHNOLOGY CO., LTD							