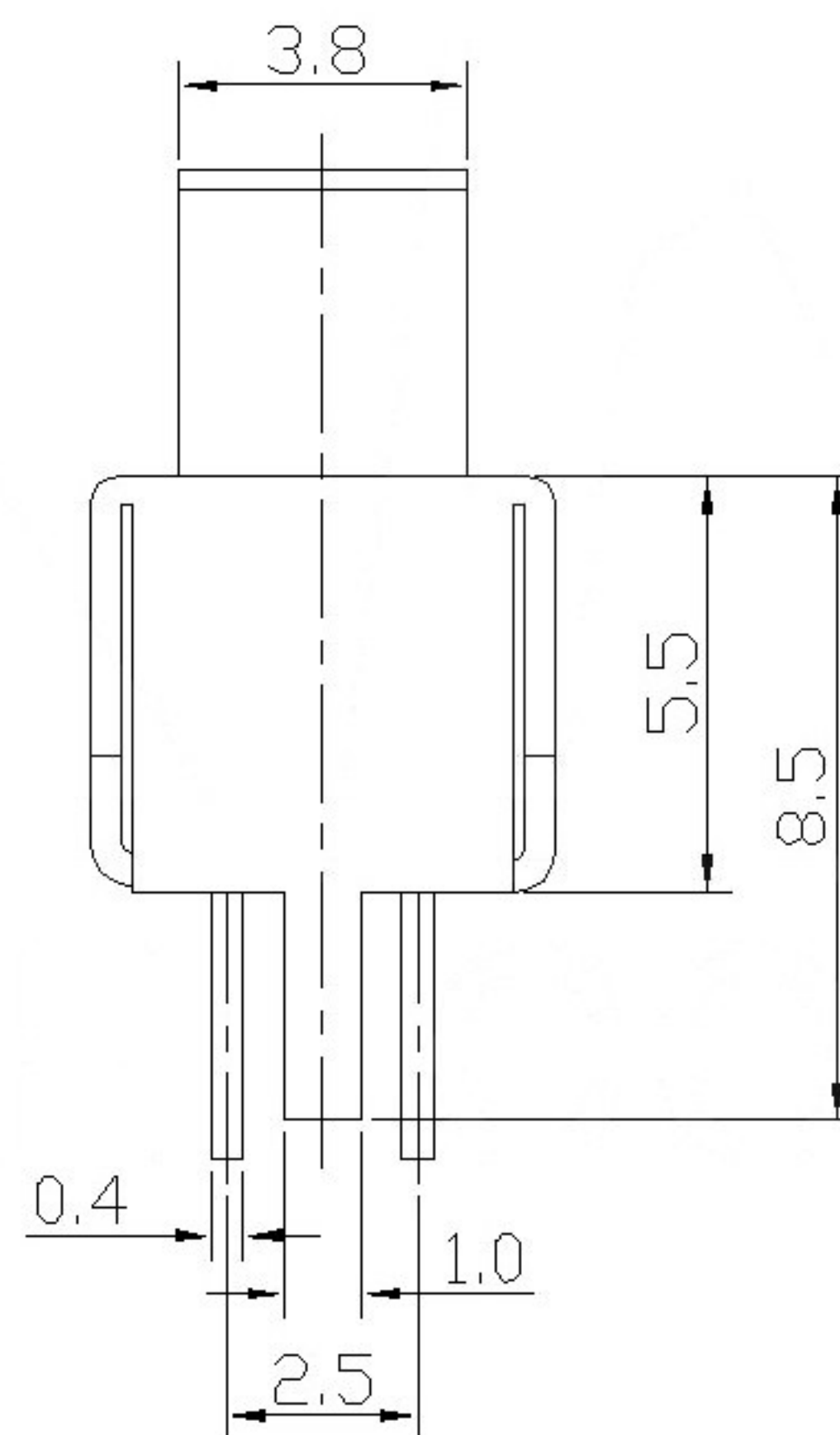
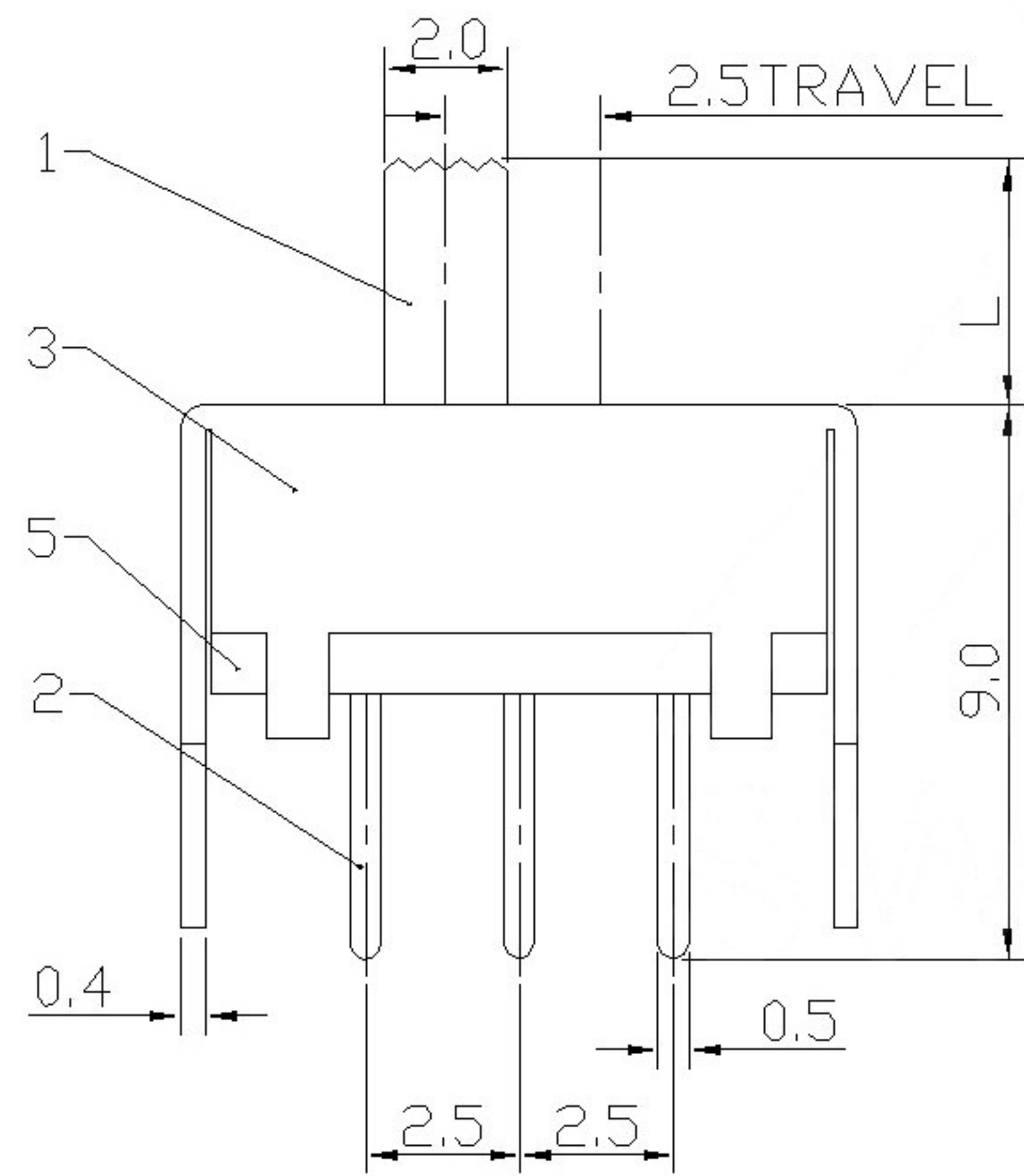
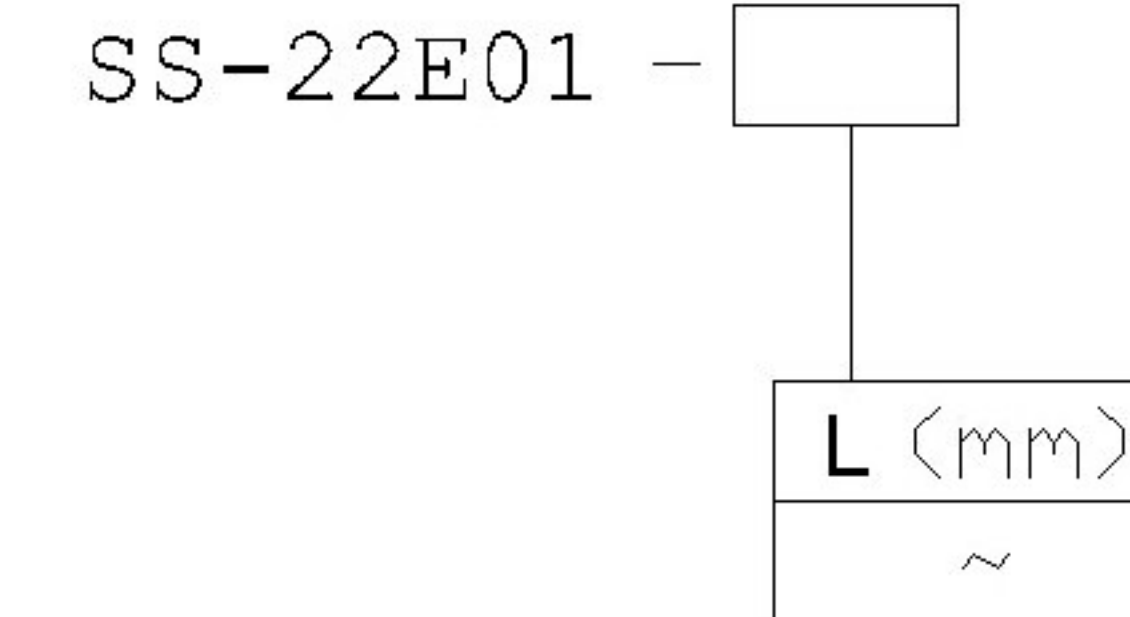


MODEL CODE



RATING	0.3A 50V DC
CIRCUIT	1P2T
CONTACT RESISTANCE	100mΩ MAX.
TRAVEL	2mm
OPERATING FORCE	250±100gf
OPERATING LIFE(cycles)	10,000

REVISIONS						UNSPECIFIED TOLERANCES			KOSOD TECHNOLOGY CO., LTD			WEIGHT	SHEET	REVISION
ΔX					ANGULAR	±5°	DSND		DATE	SCALE: N/A	MODEL TYPE: SLIDE SWITCH			
ΔX					L ≤ 4	±0.2	DWN		DATE	VIEW:	PART NO.: SS-22E01			
ΔX					4 < L ≤ 16	±0.3	CHKD		DATE	UNIT: mm	DWG NO.: SS-22E01-X-X			
MARK	DESCRIPTION	DATE	REVISED	APPROVED	16 < L ≤ 63	±0.4	APPD		DATE	SIZE: A4	1.0g	1/1	A0	
					L > 63	±0.5								