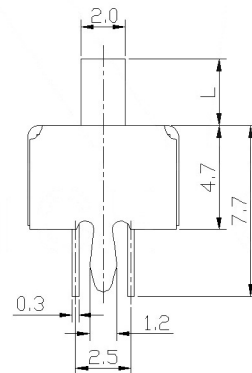
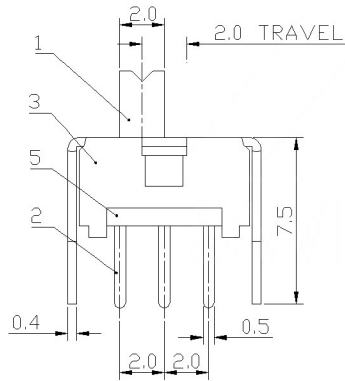
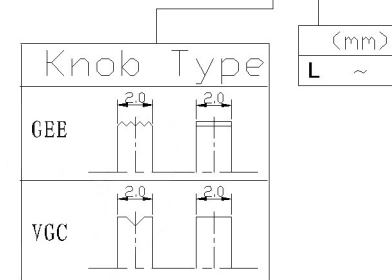


MODEL CODE

SS-22D03 -



RATING	0.3A 50V DC
CIRCUIT	1P2T
CONTACT RESISTANCE	100mΩ MAX.
TRAVEL	2mm
OPERATING FORCE	250±100gf
OPERATING LIFE(cycles)	10,000

MARK	DESCRIPTION	DATE	REVISED	APPROVED	UNSPECIFIED TOLERANCES
ΔX					ANGULAR ±5°
ΔX					L ≤ 4 ±0.2
ΔX					4 < L ≤ 16 ±0.3
					16 < L ≤ 63 ±0.4
					L > 63 ±0.5

DSND		DATE		SCALE: N/A	MODEL TYPE: SLIDE SWITCH	
DWN		DATE		VIEW:	PART NO.: SS-22D03	
CHKD		DATE		UNIT: mm	DWG NO.: SS-22D03-X-X	
APPD		DATE		SIZE: A4		
				WEIGHT	SHEET	REVISION
				1.0g	1/1	A0

KOSOD TECHNOLOGY CO., LTD

REVISIONS
www.bodongkaiguan.net www.ksdkg.com