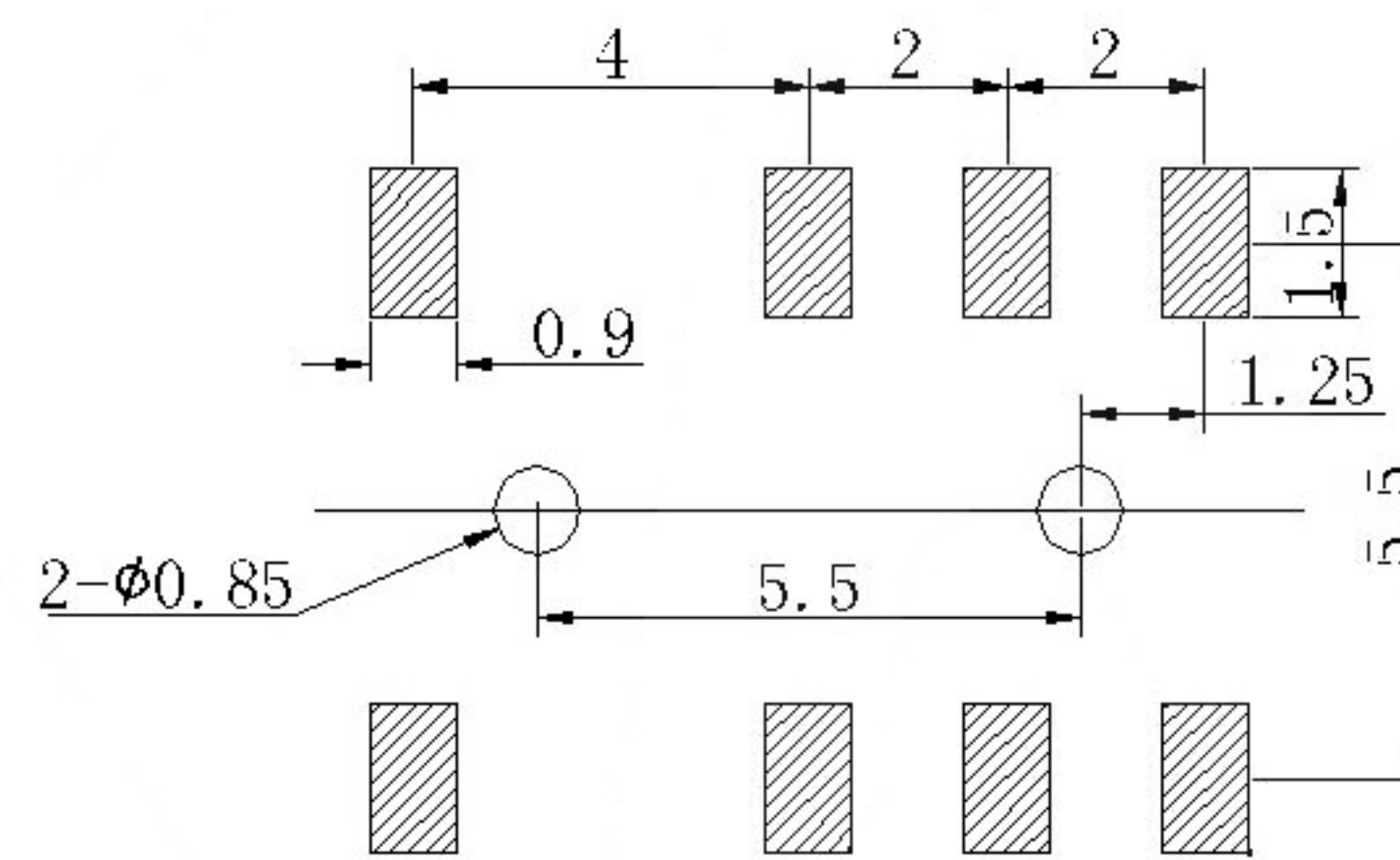
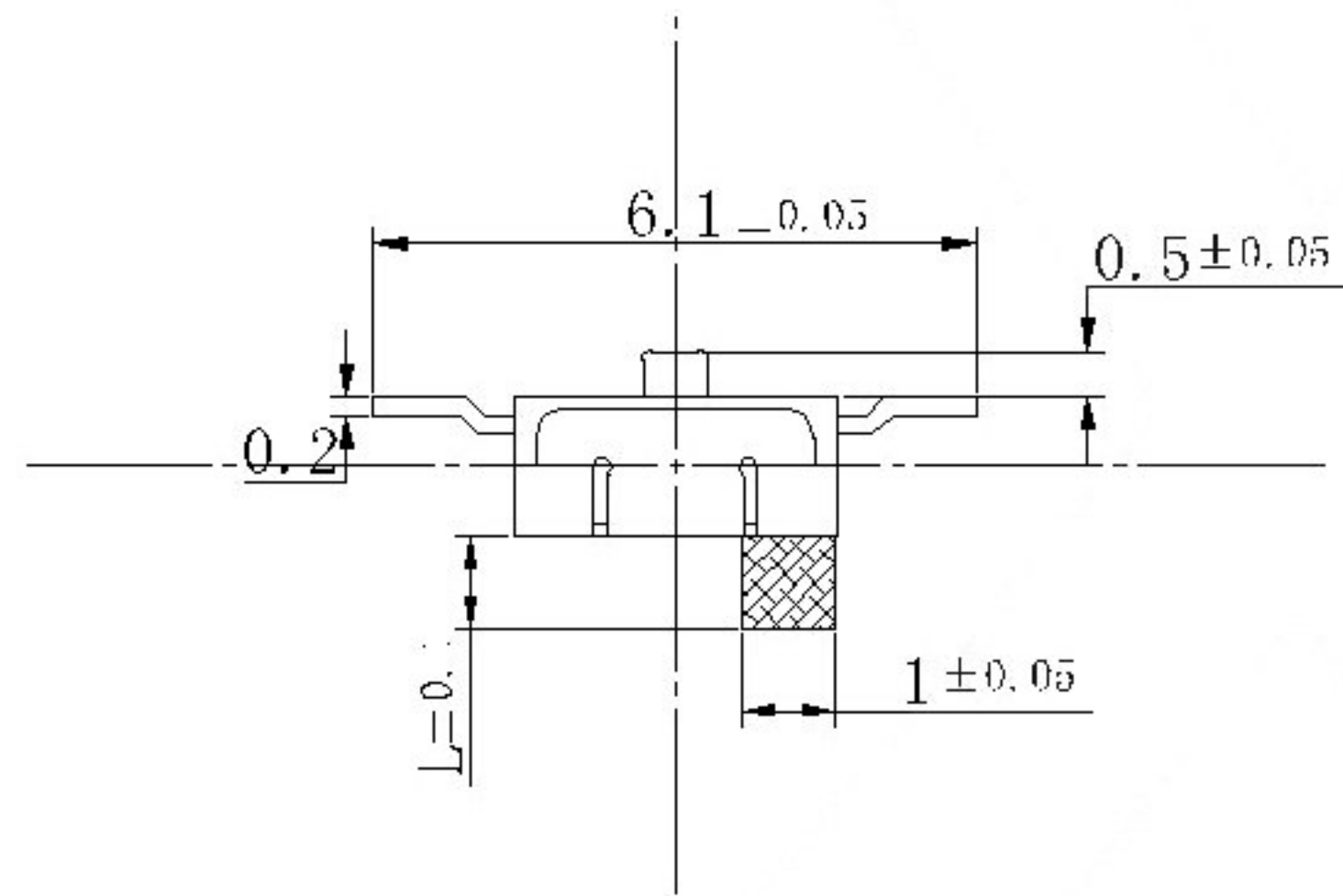


**NOTE:**

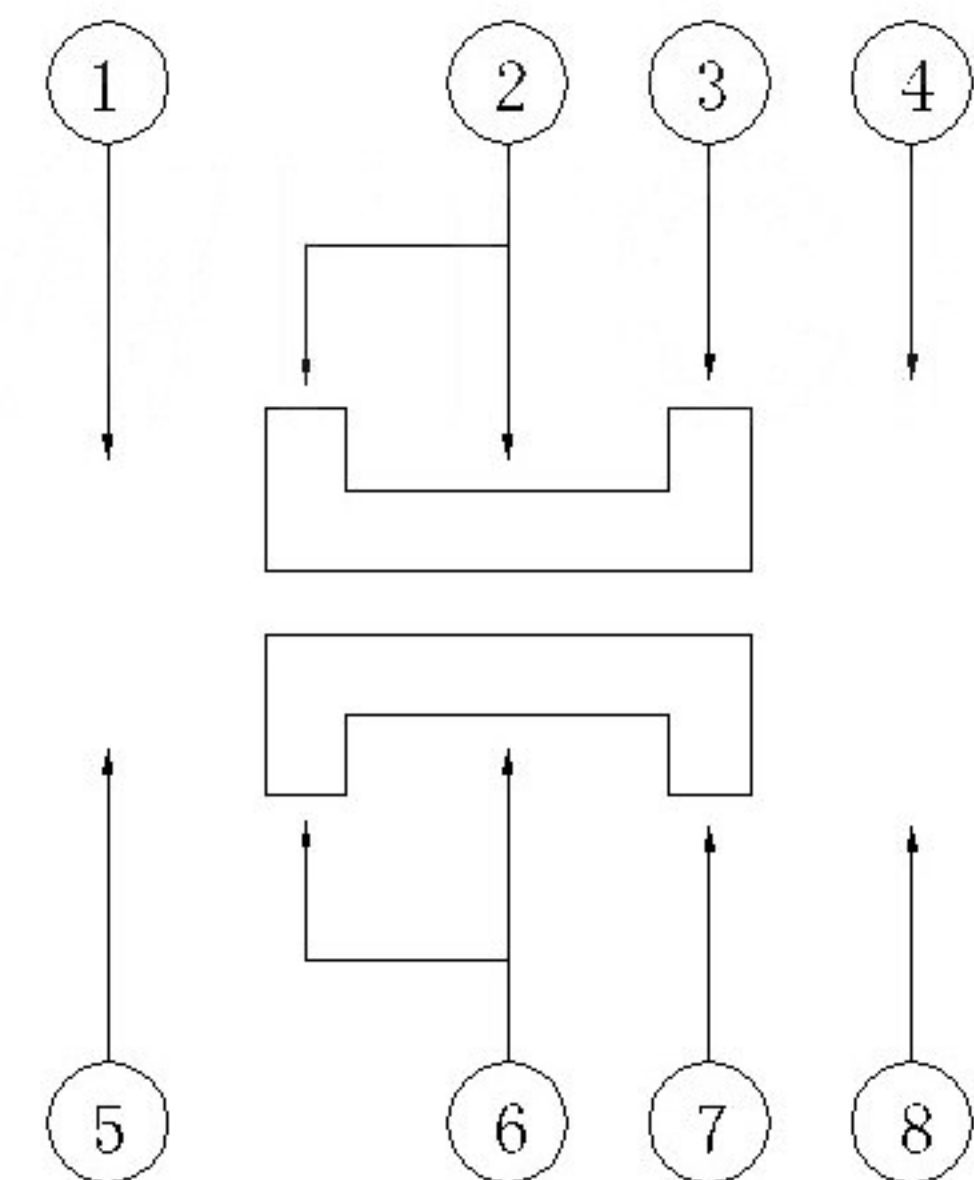
Rating: DC 12V 50mA

Operating Force: 200±100gf

Lifetime: 10,000 Cycles



PAPT NO	L
SS-1400S-L1	1.5
SS-1400S-L2	2.0
SS-1400S-L3	2.5



ITEM	PAPT NAME	TER,NO	QTY	MATERIAL	FINISHING	REMARK
⑤	Terminal	8	8	Brass (0.30t)	ag Plated	
④	Contact spring	1	1	Phosphor branze	ag Plated	
③	Base	1	1	Lcp	Black	
②	Cover	1	1	Sus	Natural	
①	Keystake	1	1	Pa46	Black	

MARK	DESCRIPTION	DATE	REVISED	APPROVED	UNSPECIFIED TOLERANCES	DSND	DATE	SCALE: N/A	MODEL TYPE: SLIDE SWITCH
ΔX						DWN	DATE	VIEW:	PART NO.:
ΔX						CHKD	DATE	UNIT: mm	DWG NO.:
ΔX						APPD	DATE	SIZE: A4	<b>SS-1400S-X</b>
									WEIGHT 1.0g
									SHEET 1/1
									REVISION A0

REVISIONS  
www.bodongkaiguan.net www.ksdkg.com

KOSOD TECHNOLOGY CO., LTD