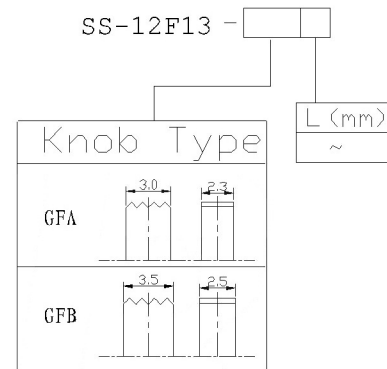


MODEL CODE

SS-12F13 -



RATING	0.3A 50V DC
CIRCUIT	1P2T
CONTACT RESISTANCE	100mΩ MAX.
TRAVEL	2mm
OPERATING FORCE	250±100gf
OPERATING LIFE(cycles)	10,000

						ANGULAR	±5°
ΔX						L ≤ 4	±0.2
ΔX						4 < L ≤ 16	±0.3
ΔX						16 < L ≤ 63	±0.4
MARK	DESCRIPTION	DATE	REVISED	APPROVED		L > 63	±0.5
REVISIONS						UNSPECIFIED TOLERANCES	
www.bodongkaiguan.net www.ksdkg.com							

DSND		DATE		SCALE: N/A	MODEL TYPE: SLIDE SWITCH
DWN		DATE		VIEW:	PART NO.: SS-12F13
CHKD		DATE		UNIT: mm	DWG NO.: SS-12F13-X-X
APPD		DATE		SIZE: A4	
				KOSOD TECHNOLOGY CO., LTD	WEIGHT 1.0g
					SHEET 1/1
					REVISION A0