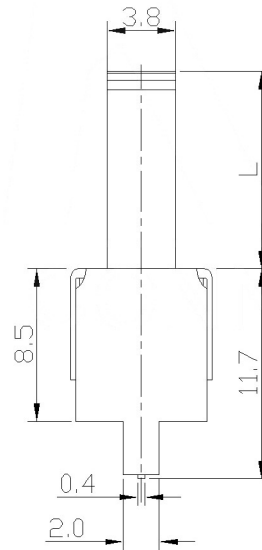
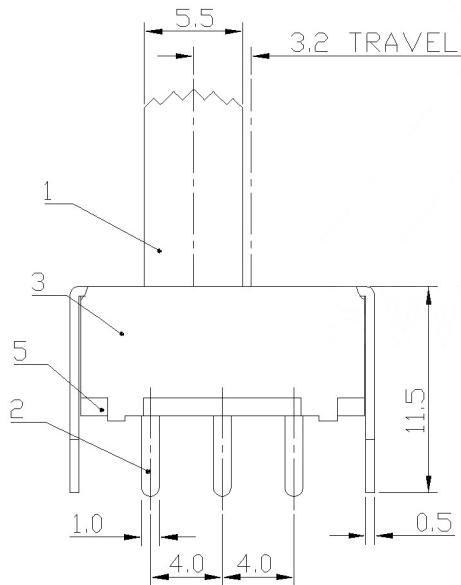


MODEL CODE

SS-12F02 -   
 L (mm)  
 ~



RATING	0.3A 50V DC
CIRCUIT	1P2T
CONTACT RESISTANCE	100mΩ MAX.
TRAVEL	2mm
OPERATING FORCE	250±100gf
OPERATING LIFE(cycles)	10,000

DSND		DATE		SCALE: N/A	MODEL TYPE: SLIDE SWITCH
DWN		DATE		VIEW:	PART NO.: SS-12F02
CHKD		DATE		UNIT: mm	DWG NO.: SS-12F02-X-X
APPD		DATE		SIZE: A4	WEIGHT 1.0g
				KOSOD TECHNOLOGY CO., LTD	SHEET 1/1
					REVISION A0

MARK	DESCRIPTION	DATE	REVISED	APPROVED	UNSPECIFIED TOLERANCES
Δx					ANGULAR ±5°
Δx					L ≤ 4 ±0.2
Δx					4 < L ≤ 16 ±0.3
					16 < L ≤ 63 ±0.4
					L > 63 ±0.5

REVISIONS  
[www.bodongkaiguan.net](http://www.bodongkaiguan.net)    [www.ksdkg.com](http://www.ksdkg.com)