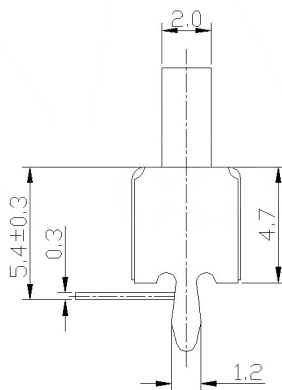
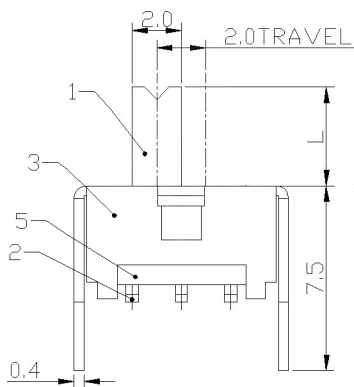
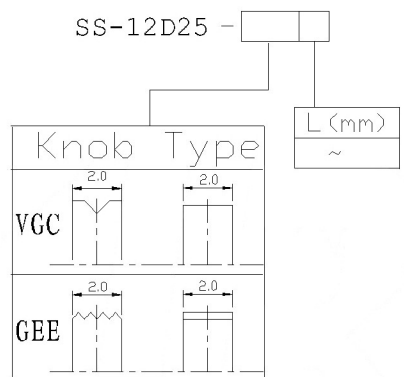


MODEL CODE

SS-12D25 -



RATING	0.3A 50V DC
CIRCUIT	1P2T
CONTACT RESISTANCE	100mΩ MAX.
TRAVEL	2mm
OPERATING FORCE	250±100gf
OPERATING LIFE(cycles)	10,000

					ANGULAR	±5°
ΔX					L ≤ 4	±0.2
ΔX					4 < L ≤ 16	±0.3
ΔX					16 < L ≤ 63	±0.4
MARK	DESCRIPTION	DATE	REVISED	APPROVED	L > 63	±0.5
REVISIONS		UNSPECIFIED TOLERANCES				
www.bodongkaiguan.net		www.ksdkg.com				

DSND	DATE	SCALE: N/A	MODEL TYPE:
DWN	DATE	VIEW:	SLIDE SWITCH
CHKD	DATE	UNIT: mm	PART NO.: SS-12D25
APPD	DATE	SIZE: A4	DWG NO.: SS-12D25-X-X
Kosod Technology Co., Ltd.			WEIGHT
			1.0g
			SHEET
			1/1
			REVISION
			A0