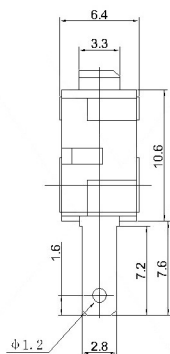
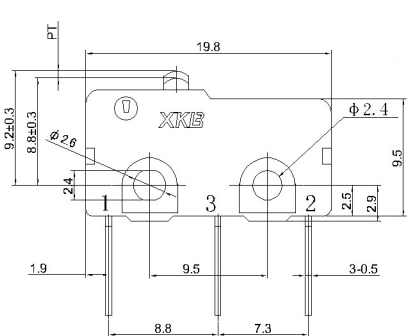
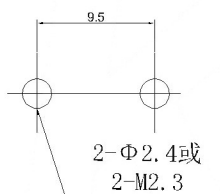


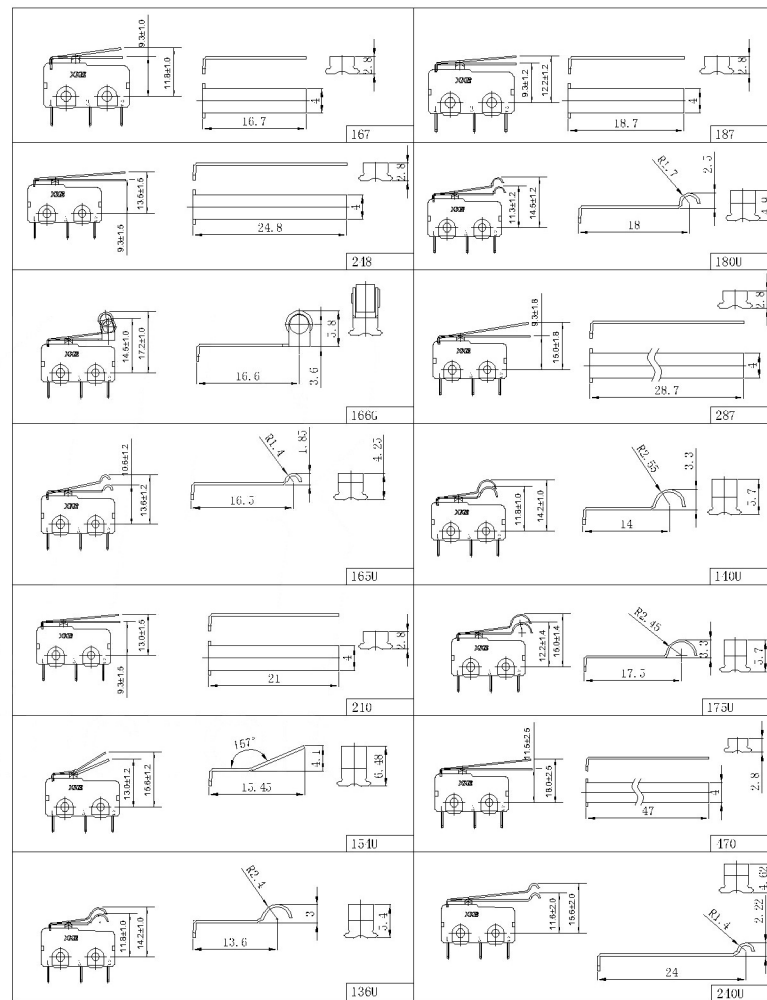
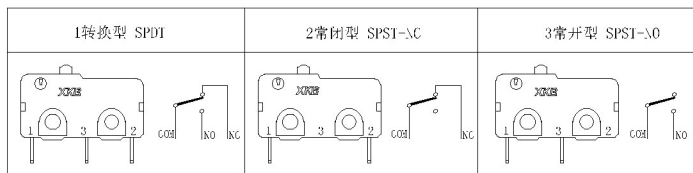
Quick Connect Terminals



Solder and 110# Terminal



SCALE: 2:1



△ X					ANGULAR	±5°
△ X					L ≤ 4	±0.2
△ X					4 < L ≤ 16	±0.3
△ X					16 < L ≤ 63	±0.4
MARK	DESCRIPTION	DATE	REVISED	APPROVED	L > 63	±0.5
REVISIONS						UNSPECIFIED TOLERANCES
www.bodongkaiguan.net www.ksdkg.com						

DSND	DATE	SCALE: N/A	MODEL TYPE: MICRO SWITCH
DWN	DATE	VIEW:	PART NO.: SM5-XXXL-X
CHKD	DATE	UNIT: mm	DWG NO.: SM5-XXXL-X
APPD	DATE	SIZE: A4	WEIGHT SHEET REVISION
KOSOD TECHNOLOGY CO., LTD			1.0g 1/1 A0