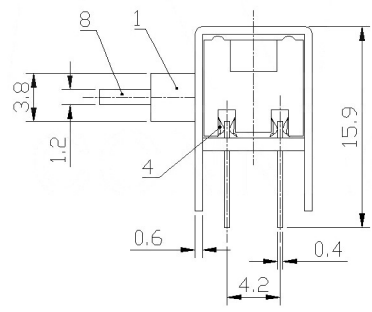
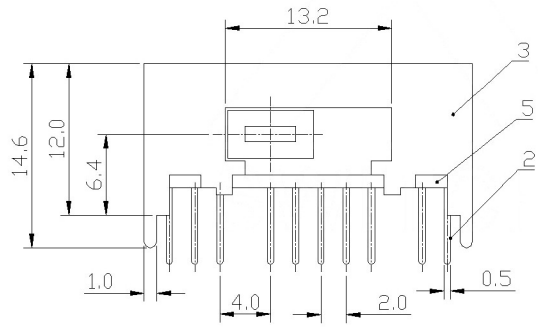
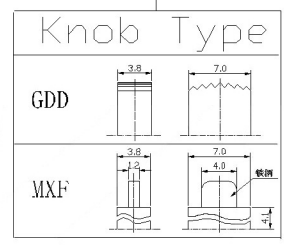


MODEL CODE

SK-44D04 -

L (mm)
~



RATING	0.3A 50V DC
CIRCUIT	1P2T
CONTACT RESISTANCE	100m MAX.
TRAVEL	2mm
OPERATING FORCE	250±100gf
OPERATING LIFE(cycles)	10,000

MARK	DESCRIPTION	DATE	REVISED	APPROVED	UNSPECIFIED TOLERANCES
ΔX					ANGULAR ±5°
ΔX					L ≤ 4 ±0.2
ΔX					4 < L ≤ 16 ±0.3
					16 < L ≤ 63 ±0.4
					L > 63 ±0.5

DSND	DATE	SCALE: N/A
DWN	DATE	VIEW:
CHKD	DATE	UNIT: mm
APPD	DATE	SIZE: A4

MODEL TYPE:	SLIDE SWITCH
PART NO.:	SK-44D04
DWG NO.:	SK-44D04-X-X
WEIGHT	1.0g
SHEET	1/1
REVISION	A0

KOSOD TECHNOLOGY CO., LTD

www.bodongkaiguan.net www.ksdkg.com