

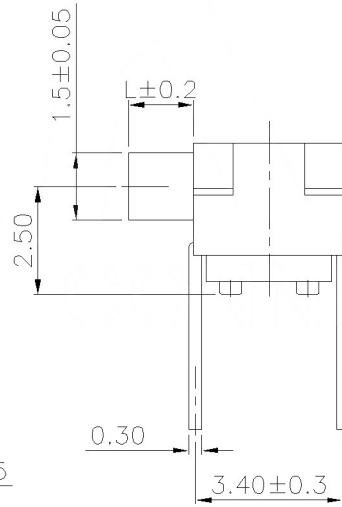
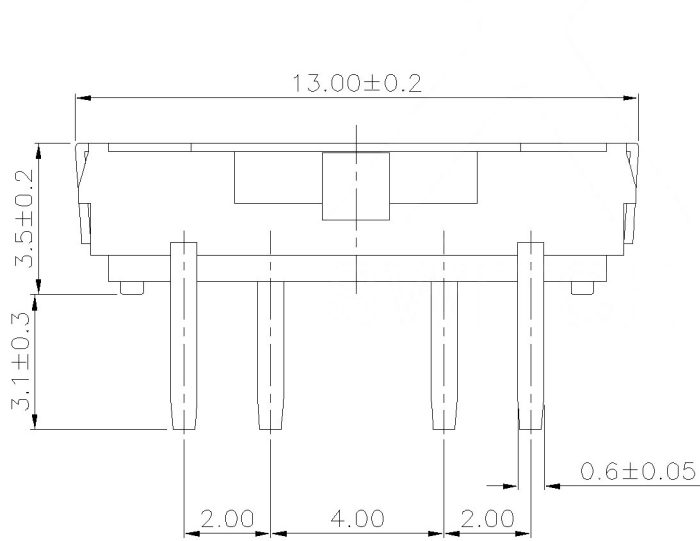
Circuit Diagram

PCB Layout(Pattern side)

NOTE:

Rating: DC 12V 50mA
 Operating Force: 200±100gf
 Lifetime: 10,000 Cycles

PAPT NO	L
SK-3346D-01-L1	2.0
SK-3346D-01-L2	3.0
SK-3346D-01-L3	4.0



ITEM	PAPT NAME	TER,NO	QTY	MATERIAL	FINISHING	REMARK
⑤	Terminal	—	4	Brass (0.30t)	ag Plated	—
④	Contact spring	—	1	Phosphor branze	ag Plated	—
③	Base	—	1	Lcp	Black	—
②	Cover	—	1	Sus	Natural	—
①	Keystake	—	1	Pa46	Black	—

MARK	DESCRIPTION	DATE	REVISED	APPROVED	UNSPECIFIED TOLERANCES
Δx					ANGLAR X.X ±5°
Δx					X.XX ±0.2mm
Δx					X.XX ±0.1mm
Δx					X.XXX ±0.05mm
REVISIONS					
www.bodongkaiguan.net		www.ksdkg.com			

DSND	DATE	SCALE: N/A	MODEL TYPE:
DWN	DATE	VIEW:	SLIDE SWITCH
CHKD	DATE	UNIT: mm	PART NO.:
APPD	DATE	SIZE: A4	DWG NO.: SK-3346D-01-X
Kosod Technology Co., Ltd.			WEIGHT: 1.0g
			SHEET: 1/1
			REVISION: A0