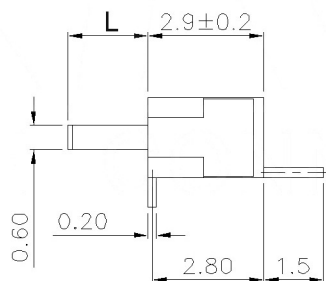
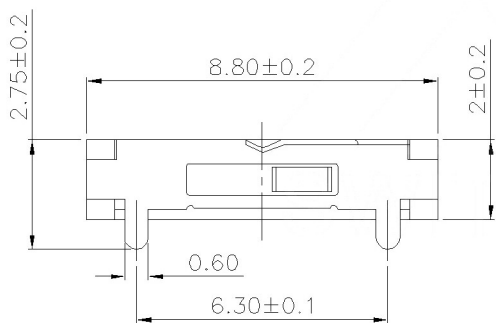


Circuit Diagram

PCB Layout(Pattern side)

**NOTE:**  
 Rating: DC 12V 50mA  
 Operating Force: 200±100gf  
 Lifetime: 10,000 Cycles



PAPT NO	L
SK-3270SA-L1	2.0
SK-3270SA-L2	3.0
SK-3270SA-L3	4.0

ITEM	PAPT NAME	TER.NO	QTY	MATERIAL	FINISHING	REMARK
⑤	Terminal	3	Brass (0.30t)	ag Plated		
④	Contact spring	1	Phosphor bronze	ag Plated		
③	Base	1	Lcp	Black		
②	Cover	1	Sus	Natural		
①	Keystake	1	Pa46	Black		

MARK	DESCRIPTION	DATE	REVISED	APPROVED	ANGLAR	±5°
Δx					X.X	±0.2mm
Δx					X.XX	±0.1mm
Δx					X.XXX	±0.05mm
REVISIONS					UNSPECIFIED TOLERANCES	
www.bodongkaiguan.net						

DSND	DATE	SCALE: N/A	MODEL TYPE:
DWN	DATE	VIEW:	SLIDE SWITCH
CHKD	DATE	UNIT: mm	PART NO.:
APPD	DATE	SIZE: A4	DWG NO.: SK-3270SA-X
Kosod Technology Co., Ltd.			WEIGHT SHEET REVISION
			1.0g 1/1 A0