

Circuit Diagram

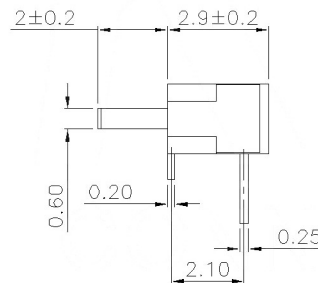
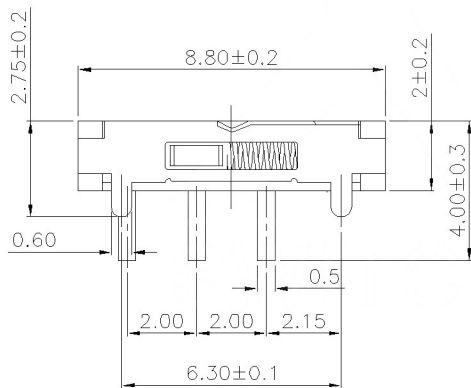
PCB Layout(Pattern side)

NOTE:

Rating: DC 12V 50mA

Operating Force: 200±100gf

Lifetime: 10,000 Cycles



PAPT NO	L
SK-3270B-L1	2.0
SK-3270B-L2	3.0
SK-3270B-L3	4.0

ITEM	PAPT NAME	TER.NO	QTY	MATERIAL	FINISHING	REMARK
⑤	Terminal	3	3	Brass (0.30t)	ag Plated	
④	Contact spring	1	1	Phosphor branze	ag Plated	
③	Base	1	1	Lcp	Black	
②	Cover	1	1	Sus	Natural	
①	Keystake	1	1	Pa46	Black	

MARK	DESCRIPTION	DATE	REVISED	APPROVED	UNSPECIFIED TOLERANCES
△x					
△x					
△x					

DSND	DATE	SCALE: N/A	MODEL TYPE:
DWN	DATE	VIEW:	SLIDE SWITCH
CHKD	DATE	UNIT: mm	PART NO.:
APPD	DATE	SIZE: A4	DWG NO.: SK-3270B-X
			WEIGHT: 1.0g
			SHEET: 1/1
			REVISION: A0