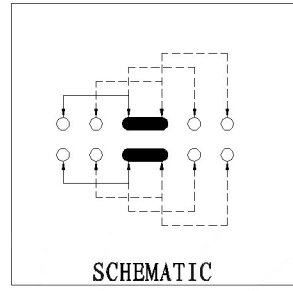
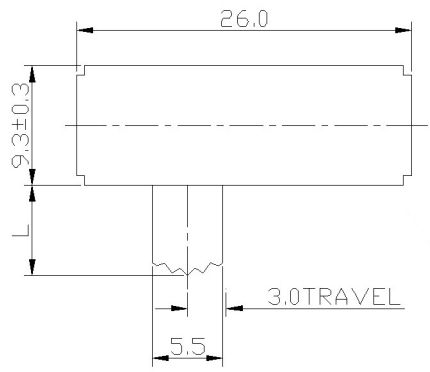


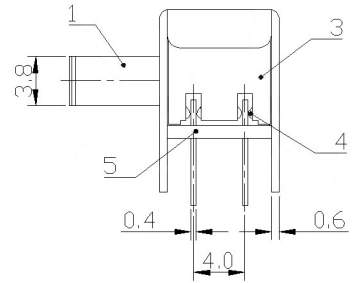
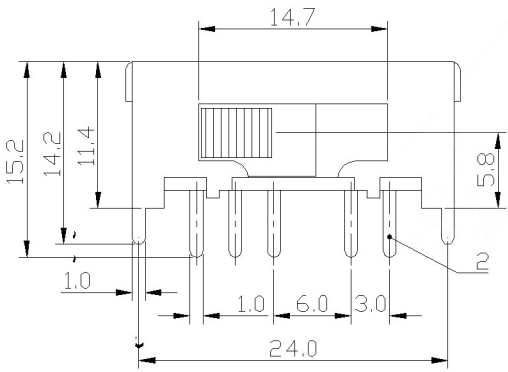
MODEL CODE

SK-24F01 -

L (mm)  
~



Knob Type	
GDI	
GMA	
GRC	
MXA	



RATING	0.3A 50V DC
CIRCUIT	1P2T
CONTACT RESISTANCE	100ms MAX.
TRAVEL	2mm
OPERATING FORCE	250±100gf
OPERATING LIFE(cycles)	10,000

MARK	DESCRIPTION	DATE	REVISED	APPROVED	UNSPECIFIED TOLERANCES
Δx					ANGULAR ±5°
Δx					L ≤ 4 ±0.2
Δx					4 < L ≤ 16 ±0.3
					16 < L ≤ 63 ±0.4
					L > 63 ±0.5

DSND	DATE	SCALE: N/A	MODEL TYPE: SLIDE SWITCH
DWN	DATE	VIEW:	PART NO.: SK-24F01
CHKD	DATE	UNIT: mm	DWG NO.: SK-24F01-X-X
APPD	DATE	SIZE: A4	
KOSOD TECHNOLOGY CO., LTD			WEIGHT 1.0g
			SHEET 1/1
			REVISION A0