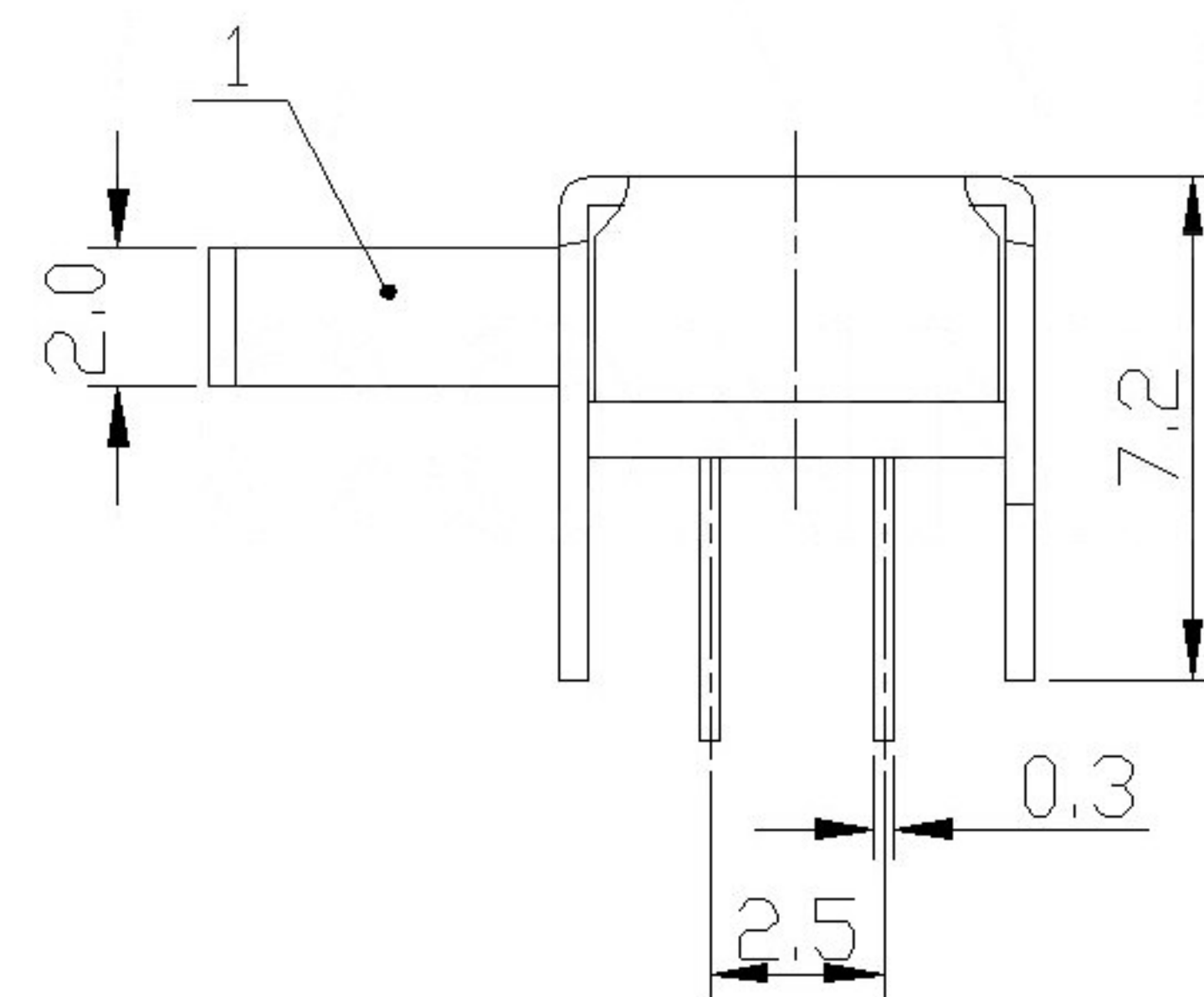
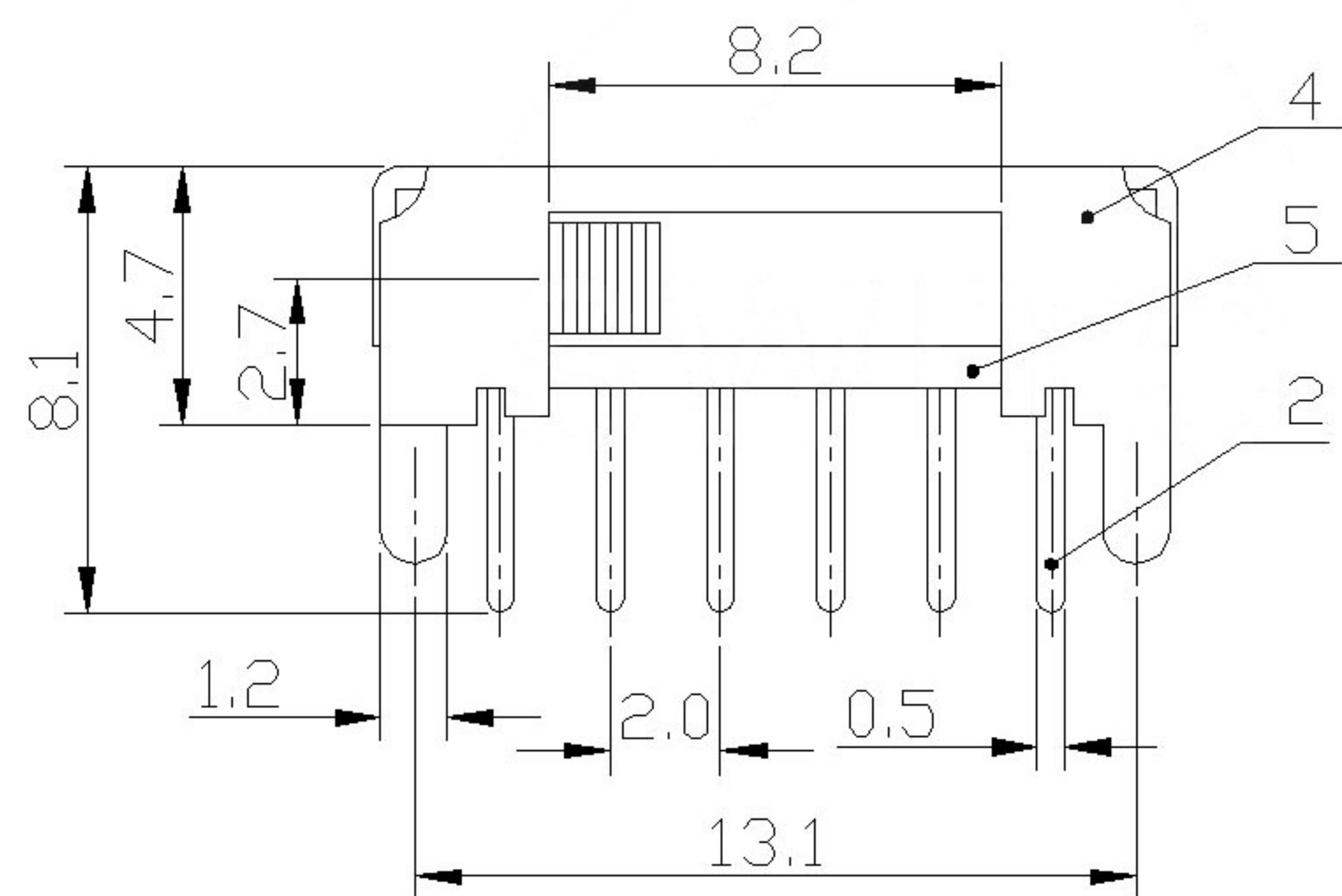


MODEL CODE

SK-24D02 -
 L (mm)
 ~



RATING	0.3A 50V DC
CIRCUIT	1P2T
CONTACT RESISTANCE	100m MAX.
TRAVEL	2mm
OPERATING FORCE	250±100gf
OPERATING LIFE(cycles)	10,000

REVISIONS					UNSPECIFIED TOLERANCES		DSND	DATE	SCALE: N/A	MODEL TYPE: SLIDE SWITCH		
Δx					ANGLAR	±5°	DWN	DATE	VIEW:	PART NO.: SK-24D02		
Δx					L ≤ 4	±0.2	CHKD	DATE	UNIT: mm	DWG NO.: SK-24D02-X-X		
Δx					4 < L ≤ 16	±0.3	APPD	DATE	SIZE: A4			
MARK	DESCRIPTION	DATE	REVISED	APPROVED	16 < L ≤ 63	±0.4	KOSOD TECHNOLOGY CO., LTD			WEIGHT	SHEET	REVISION
					L > 63	±0.5				1.0g	1/1	A0
www.bodongkaiguan.net www.ksdkg.com												